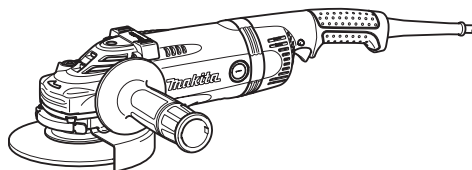


**INSTRUCTION MANUAL
MANUEL D'INSTRUCTION
MANUAL DE INSTRUCCIONES**



Angle Grinder Meuleuse d'Angle Esmeriladora Angular

**GA7031
GA7031Y
GA9031
GA9031Y**



**DOUBLE INSULATION
DOUBLE ISOLATION
DOBLE AISLAMIENTO**

IMPORTANT: Read Before Using.
IMPORTANT : Lire avant usage.
IMPORTANTE: Lea antes de usar.

SPECIFICATIONS

Model	GA7031	GA7031Y	GA9031	GA9031Y
Wheel diameter	180 mm (7")		230 mm (9")	
Max. wheel thickness	6.5 mm (1/4")			
Spindle thread	15.87 mm (5/8")		15.87 mm (5/8")	
Rated speed (n) / No load speed (n ₀)	8,500 /min		6,600 /min	
Overall length	504 mm (19-7/8")		504 mm (19-7/8")	
Net weight	6.3 kg (13.9 lbs)		6.5 kg (14.4 lbs)	

- Due to our continuing program of research and development, the specifications herein are subject to change without notice.
- Specifications may differ from country to country.
- Weight according to EPTA-Procedure 01/2003

General Power Tool Safety Warnings

⚠ WARNING Read all safety warnings and all instructions. Failure to follow the warnings and instructions may result in electric shock, fire and/or serious injury.

Save all warnings and instructions for future reference.

The term "power tool" in the warnings refers to your mains-operated (corded) power tool or battery-operated (cordless) power tool.

Work area safety

1. **Keep work area clean and well lit.** Cluttered or dark areas invite accidents.
2. **Do not operate power tools in explosive atmospheres, such as in the presence of flammable liquids, gases or dust.** Power tools create sparks which may ignite the dust or fumes.
3. **Keep children and bystanders away while operating a power tool.** Distractions can cause you to lose control.

Electrical safety

4. **Power tool plugs must match the outlet. Never modify the plug in any way. Do not use any adapter plugs with earthed (grounded) power tools.** Unmodified plugs and matching outlets will reduce risk of electric shock.
5. **Avoid body contact with earthed or grounded surfaces such as pipes, radiators, ranges and refrigerators.** There is an increased risk of electric shock if your body is earthed or grounded.
6. **Do not expose power tools to rain or wet conditions.** Water entering a power tool will increase the risk of electric shock.
7. **Do not abuse the cord. Never use the cord for carrying, pulling or unplugging the power tool. Keep cord away from heat, oil, sharp edges or moving parts.** Damaged or entangled cords increase the risk of electric shock.
8. **When operating a power tool outdoors, use an extension cord suitable for outdoor use.** Use of a cord suitable for outdoor use reduces the risk of electric shock.

9. **If operating a power tool in a damp location is unavoidable, use a ground fault circuit interrupter (GFCI) protected supply.** Use of an GFCI reduces the risk of electric shock.

Personal safety

10. **Stay alert, watch what you are doing and use common sense when operating a power tool. Do not use a power tool while you are tired or under the influence of drugs, alcohol or medication.** A moment of inattention while operating power tools may result in serious personal injury.
11. **Use personal protective equipment. Always wear eye protection.** Protective equipment such as dust mask, non-skid safety shoes, hard hat, or hearing protection used for appropriate conditions will reduce personal injuries.
12. **Prevent unintentional starting. Ensure the switch is in the off-position before connecting to power source and/or battery pack, picking up or carrying the tool.** Carrying power tools with your finger on the switch or energising power tools that have the switch on invites accidents.
13. **Remove any adjusting key or wrench before turning the power tool on.** A wrench or a key left attached to a rotating part of the power tool may result in personal injury.
14. **Do not overreach. Keep proper footing and balance at all times.** This enables better control of the power tool in unexpected situations.
15. **Dress properly. Do not wear loose clothing or jewellery. Keep your hair, clothing, and gloves away from moving parts.** Loose clothes, jewellery or long hair can be caught in moving parts.
16. **If devices are provided for the connection of dust extraction and collection facilities, ensure these are connected and properly used.** Use of dust collection can reduce dust-related hazards.

Power tool use and care

17. **Do not force the power tool. Use the correct power tool for your application.** The correct power tool will do the job better and safer at the rate for which it was designed.
18. **Do not use the power tool if the switch does not turn it on and off.** Any power tool that cannot be controlled with the switch is dangerous and must be repaired.

19. **Disconnect the plug from the power source and/or the battery pack from the power tool before making any adjustments, changing accessories, or storing power tools.** Such preventive safety measures reduce the risk of starting the power tool accidentally.
20. **Store idle power tools out of the reach of children and do not allow persons unfamiliar with the power tool or these instructions to operate the power tool.** Power tools are dangerous in the hands of untrained users.
21. **Maintain power tools. Check for misalignment or binding of moving parts, breakage of parts and any other condition that may affect the power tool's operation. If damaged, have the power tool repaired before use.** Many accidents are caused by poorly maintained power tools.
22. **Keep cutting tools sharp and clean.** Properly maintained cutting tools with sharp cutting edges are less likely to bind and are easier to control.
23. **Use the power tool, accessories and tool bits etc. in accordance with these instructions, taking into account the working conditions and the work to be performed.** Use of the power tool for operations different from those intended could result in a hazardous situation.

Service

24. **Have your power tool serviced by a qualified repair person using only identical replacement parts.** This will ensure that the safety of the power tool is maintained.
25. **Follow instruction for lubricating and changing accessories.**
26. **Keep handles dry, clean and free from oil and grease.** USE PROPER EXTENSION CORD. Make sure your extension cord is in good condition. When using an extension cord, be sure to use one heavy enough to carry the current your product will draw. An undersized cord will cause a drop in line voltage resulting in loss of power and overheating. Table 1 shows the correct size to use depending on cord length and nameplate ampere rating. If in doubt, use the next heavier gage. The smaller the gage number, the heavier the cord.

Table 1: Minimum gage for cord

Ampere Rating		Volts	Total length of cord in feet			
		120V	25 ft.	50 ft.	100 ft.	150 ft.
		220V - 240V	50 ft.	100 ft.	200 ft.	300 ft.
More Than	Not More Than	AWG				
0	6	/	18	16	16	14
6	10		18	16	14	12
10	12		16	16	14	12
12	16		14	12	Not Recommended	

GRINDER SAFETY WARNINGS

Safety Warnings Common for Grinding, Sanding, Wire Brushing, or Abrasive Cutting-Off Operations:

1. **This power tool is intended to function as a grinder, sander, wire brush or cut-off tool. Read all safety warnings, instructions, illustrations and specifications provided with this power tool.** Failure to follow all instructions listed below may result in electric shock, fire and/or serious injury.
2. **Operations such as polishing are not recommended to be performed with this power tool.** Operations for which the power tool was not designed may create a hazard and cause personal injury.
3. **Do not use accessories which are not specifically designed and recommended by the tool manufacturer.** Just because the accessory can be attached to your power tool, it does not assure safe operation.
4. **The rated speed of the accessory must be at least equal to the maximum speed marked on the power tool.** Accessories running faster than their rated speed can break and fly apart.
5. **The outside diameter and the thickness of your accessory must be within the capacity rating of your power tool.** Incorrectly sized accessories cannot be adequately guarded or controlled.

6. **Threaded mounting of accessories must match the grinder spindle thread. For accessories mounted by flanges, the arbour hole of the accessory must fit the locating diameter of the flange.** Accessories that do not match the mounting hardware of the power tool will run out of balance, vibrate excessively and may cause loss of control.
7. **Do not use a damaged accessory. Before each use inspect the accessory such as abrasive wheels for chips and cracks, backing pad for cracks, tear or excess wear, wire brush for loose or cracked wires.** If power tool or accessory is dropped, inspect for damage or install an undamaged accessory. After inspecting and installing an accessory, position yourself and bystanders away from the plane of the rotating accessory and run the power tool at maximum no-load speed for one minute. Damaged accessories will normally break apart during this test time.
8. **Wear personal protective equipment. Depending on application, use face shield, safety goggles or safety glasses. As appropriate, wear dust mask, hearing protectors, gloves and workshop apron capable of stopping small abrasive or workpiece fragments.** The eye protection must be capable of stopping flying debris generated by various operations. The dust mask or respirator must be capable of filtrating particles generated by your operation. Prolonged exposure to high intensity noise may cause hearing loss.

9. **Keep bystanders a safe distance away from work area. Anyone entering the work area must wear personal protective equipment.** Fragments of workpiece or of a broken accessory may fly away and cause injury beyond immediate area of operation.
10. **Hold the power tool by insulated gripping surfaces only, when performing an operation where the cutting accessory may contact hidden wiring or its own cord.** Cutting accessory contacting a "live" wire may make exposed metal parts of the power tool "live" and could give the operator an electric shock.
11. **Position the cord clear of the spinning accessory.** If you lose control, the cord may be cut or snagged and your hand or arm may be pulled into the spinning accessory.
12. **Never lay the power tool down until the accessory has come to a complete stop.** The spinning accessory may grab the surface and pull the power tool out of your control.
13. **Do not run the power tool while carrying it at your side.** Accidental contact with the spinning accessory could snag your clothing, pulling the accessory into your body.
14. **Regularly clean the power tool's air vents.** The motor's fan will draw the dust inside the housing and excessive accumulation of powdered metal may cause electrical hazards.
15. **Do not operate the power tool near flammable materials.** Sparks could ignite these materials.
16. **Do not use accessories that require liquid coolants.** Using water or other liquid coolants may result in electrocution or shock.

Kickback and Related Warnings

Kickback is a sudden reaction to a pinched or snagged rotating wheel, backing pad, brush or any other accessory. Pinching or snagging causes rapid stalling of the rotating accessory which in turn causes the uncontrolled power tool to be forced in the direction opposite of the accessory's rotation at the point of the binding. For example, if an abrasive wheel is snagged or pinched by the workpiece, the edge of the wheel that is entering into the pinch point can dig into the surface of the material causing the wheel to climb out or kick out. The wheel may either jump toward or away from the operator, depending on direction of the wheel's movement at the point of pinching. Abrasive wheels may also break under these conditions.

Kickback is the result of power tool misuse and/or incorrect operating procedures or conditions and can be avoided by taking proper precautions as given below.

- a) **Maintain a firm grip on the power tool and position your body and arm to allow you to resist kickback forces. Always use auxiliary handle, if provided, for maximum control over kickback or torque reaction during start-up.** The operator can control torque reactions or kickback forces, if proper precautions are taken.
- b) **Never place your hand near the rotating accessory.** Accessory may kickback over your hand.
- c) **Do not position your body in the area where power tool will move if kickback occurs.** Kickback will propel the tool in direction opposite to the wheel's movement at the point of snagging.

- d) **Use special care when working corners, sharp edges etc. Avoid bouncing and snagging the accessory.** Corners, sharp edges or bouncing have a tendency to snag the rotating accessory and cause loss of control or kickback.
- e) **Do not attach a saw chain woodcarving blade or toothed saw blade.** Such blades create frequent kickback and loss of control.

Safety Warnings Specific for Grinding and Abrasive Cutting-Off Operations:

- a) **Use only wheel types that are recommended for your power tool and the specific guard designed for the selected wheel.** Wheels for which the power tool was not designed cannot be adequately guarded and are unsafe.
- b) **The grinding surface of centre depressed wheels must be mounted below the plane of the guard lip.** An improperly mounted wheel that projects through the plane of the guard lip cannot be adequately protected.
- c) **The guard must be securely attached to the power tool and positioned for maximum safety, so the least amount of wheel is exposed towards the operator.** The guard helps to protect the operator from broken wheel fragments, accidental contact with wheel and sparks that could ignite clothing.
- d) **Wheels must be used only for recommended applications. For example: do not grind with the side of cut-off wheel.** Abrasive cut-off wheels are intended for peripheral grinding, side forces applied to these wheels may cause them to shatter.
- e) **Always use undamaged wheel flanges that are of correct size and shape for your selected wheel.** Proper wheel flanges support the wheel thus reducing the possibility of wheel breakage. Flanges for cut-off wheels may be different from grinding wheel flanges.
- f) **Do not use worn down wheels from larger power tools.** Wheel intended for larger power tool is not suitable for the higher speed of a smaller tool and may burst.

Additional Safety Warnings Specific for Abrasive Cutting-Off Operations:

- a) **Do not "jam" the cut-off wheel or apply excessive pressure. Do not attempt to make an excessive depth of cut.** Overstressing the wheel increases the loading and susceptibility to twisting or binding of the wheel in the cut and the possibility of kickback or wheel breakage.
- b) **Do not position your body in line with and behind the rotating wheel.** When the wheel, at the point of operation, is moving away from your body, the possible kickback may propel the spinning wheel and the power tool directly at you.
- c) **When wheel is binding or when interrupting a cut for any reason, switch off the power tool and hold the power tool motionless until the wheel comes to a complete stop. Never attempt to remove the cut-off wheel from the cut while the wheel is in motion otherwise kickback may occur.** Investigate and take corrective action to eliminate the cause of wheel binding.
- d) **Do not restart the cutting operation in the workpiece. Let the wheel reach full speed and carefully reenter the cut.** The wheel may bind, walk up or kickback if the power tool is restarted in the workpiece.

e) **Support panels or any oversized workpiece to minimize the risk of wheel pinching and kickback.** Large workpieces tend to sag under their own weight. Supports must be placed under the workpiece near the line of cut and near the edge of the workpiece on both sides of the wheel.

f) **Use extra caution when making a “pocket cut” into existing walls or other blind areas.** The protruding wheel may cut gas or water pipes, electrical wiring or objects that can cause kickback.

Safety Warnings Specific for Sanding Operations:

a) **Do not use excessively oversized sanding disc paper. Follow manufacturers recommendations, when selecting sanding paper.** Larger sanding paper extending beyond the sanding pad presents a laceration hazard and may cause snagging, tearing of the disc or kickback.

Safety Warnings Specific for Wire Brushing Operations:

a) **Be aware that wire bristles are thrown by the brush even during ordinary operation. Do not overstress the wires by applying excessive load to the brush.** The wire bristles can easily penetrate light clothing and/or skin.

b) **If the use of a guard is recommended for wire brushing, do not allow any interference of the wire wheel or brush with the guard.** Wire wheel or brush may expand in diameter due to work load and centrifugal forces.

Additional Safety Warnings:

17. **When using depressed centre grinding wheels, be sure to use only fiberglass-reinforced wheels.**
18. **NEVER USE Stone Cup type wheels with this grinder.** This grinder is not designed for these types of wheels and the use of such a product may result in serious personal injury.
19. **Be careful not to damage the spindle, the flange (especially the installing surface) or the lock nut. Damage to these parts could result in wheel breakage.**
20. **Make sure the wheel is not contacting the workpiece before the switch is turned on.**
21. **Before using the tool on an actual workpiece, let it run for a while. Watch for vibration or wobbling that could indicate poor installation or a poorly balanced wheel.**
22. **Use the specified surface of the wheel to perform the grinding.**
23. **Do not leave the tool running. Operate the tool only when hand-held.**
24. **Do not touch the workpiece immediately after operation; it may be extremely hot and could burn your skin.**
25. **Observe the instructions of the manufacturer for correct mounting and use of wheels. Handle and store wheels with care.**
26. **Do not use separate reducing bushings or adaptors to adapt large hole abrasive wheels.**
27. **Use only flanges specified for this tool.**
28. **For tools intended to be fitted with threaded hole wheel, ensure that the thread in the wheel is long enough to accept the spindle length.**
29. **Check that the workpiece is properly supported.**




30. **Pay attention that the wheel continues to rotate after the tool is switched off.**
31. **If working place is extremely hot and humid, or badly polluted by conductive dust, use a short-circuit breaker (30 mA) to assure operator safety.**
32. **Do not use the tool on any materials containing asbestos.**
33. **When use cut-off wheel, always work with the dust collecting wheel guard required by domestic regulation.**
34. **Cutting discs must not be subjected to any lateral pressure.**
35. **Do not use cloth work gloves during operation.** Fibers from cloth gloves may enter the tool, which causes tool breakage.

SAVE THESE INSTRUCTIONS.

⚠WARNING: DO NOT let comfort or familiarity with product (gained from repeated use) replace strict adherence to safety rules for the subject product. MISUSE or failure to follow the safety rules stated in this instruction manual may cause serious personal injury.

Symbols

The followings show the symbols used for tool.

V	volts
A	amperes
Hz	hertz
	alternating current
	alternating or direct current
n	rated speed
n ₀	no load speed
	Class II Construction
... /min r /min	revolutions or reciprocation per minute

FUNCTIONAL DESCRIPTION

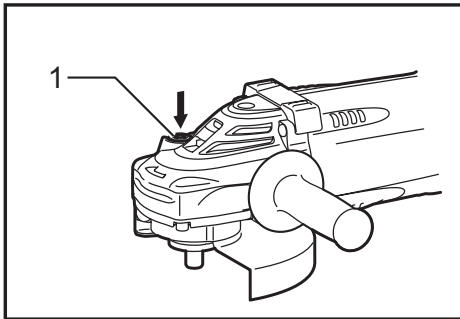
⚠ CAUTION:

- Always be sure that the tool is switched off and unplugged before adjusting or checking function on the tool.

Shaft lock

⚠ CAUTION:

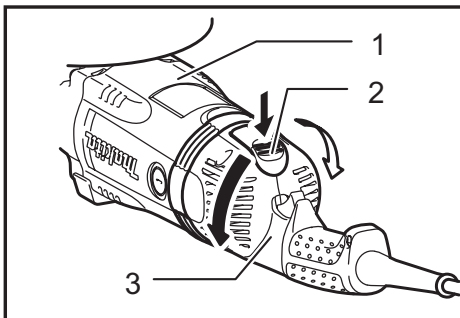
- Never actuate the shaft lock when the spindle is moving. The tool may be damaged.



► 1. Shaft lock

Press the shaft lock to prevent spindle rotation when installing or removing accessories.

Switch handle mounting positions



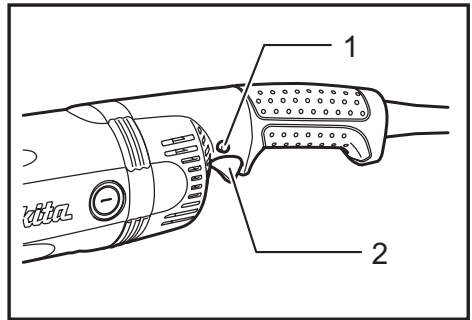
► 1. Motor housing 2. Lock button 3. Handle

The switch handle can be rotated to either 90° left or right to fit your work needs. First, unplug the tool. Press the lock button and rotate the switch handle to left or right fully. The switch handle will be locked in that position.

⚠ CAUTION:

- Always make sure that the switch handle is locked in the desired position before operation.

Switch action



► 1. Lock button / Lock-off button 2. Switch trigger

For tool with lock-off button

⚠ CAUTION:

- Before plugging in the tool, always check to see that the switch trigger actuates properly and returns to the "OFF" position when released.
- **Do not pull the switch trigger hard without pressing in the lock-off button.** This can cause switch breakage.

To prevent the switch trigger from being accidentally pulled, a lock-off button is provided.

To start the tool, depress the lock-off button and then pull the switch trigger. Release the switch trigger to stop.

For tool with lock button

⚠ CAUTION:

- Before plugging in the tool, always check to see that the switch trigger actuates properly and returns to the "OFF" position when released.
- Switch can be locked in "ON" position for ease of operator comfort during extended use. Apply caution when locking tool in "ON" position and maintain firm grasp on tool.

To start the tool, simply pull the switch trigger. Release the switch trigger to stop.

For continuous operation, pull the switch trigger and then push in the lock button, and then release the switch trigger.

To stop the tool from the locked position, pull the switch trigger fully, then release it.

ASSEMBLY

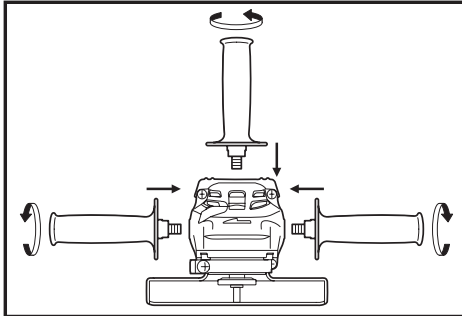
⚠ CAUTION:

- Always be sure that the tool is switched off and unplugged before carrying out any work on the tool.

Installing side grip (handle)

⚠ CAUTION:

- Always be sure that the side grip is installed securely before operation.



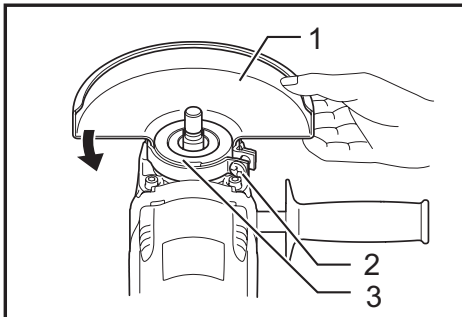
Screw the side grip securely on the position of the tool as shown in the figure.

Installing or removing wheel guard (For depressed center wheel , multi disc , wire wheel brush)

⚠ CAUTION:

- When using a depressed center grinding wheel/ Multi-disc, flex wheel or wire wheel brush, the wheel guard must be fitted on the tool so that the closed side of the guard always points toward the operator.

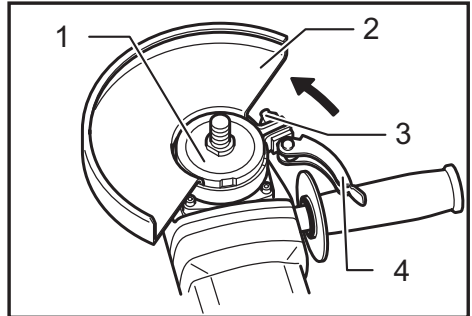
For tool with locking screw type wheel guard



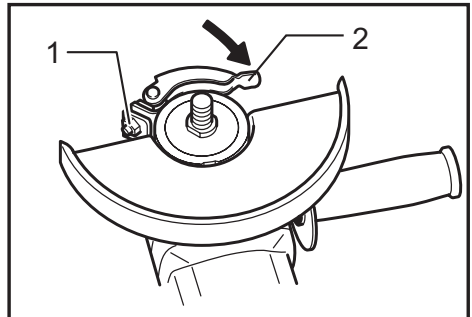
► 1. Wheel guard 2. Screw 3. Bearing box

Mount the wheel guard with the protrusion on the wheel guard band aligned with the notch on the bearing box. Then rotate the wheel guard around 180 degrees counterclockwise. Be sure to tighten the screw securely. To remove wheel guard, follow the installation procedure in reverse.

For tool with clamp lever type wheel guard



► 1. Bearing box 2. Wheel guard 3. Nut 4. Lever



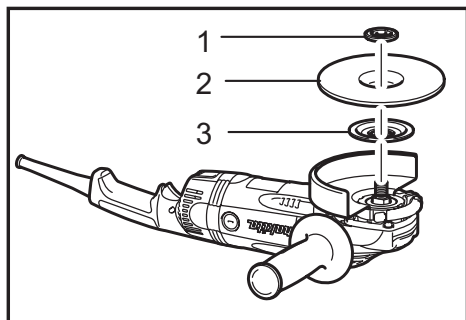
► 1. Nut 2. Lever

Loosen the lever on the wheel guard. Mount the wheel guard with the protrusion on the wheel guard band aligned with the notch on the bearing box. Then rotate the wheel guard around to the position shown in the figure. Tighten the lever to fasten the wheel guard. If the lever is too tight or too loose to fasten the wheel guard, loosen or tighten the nut by spanner to adjust the tightening of the wheel guard band. To remove wheel guard, follow the installation procedure in reverse.

Installing or removing depressed center grinding wheel/Multi-disc (accessory)

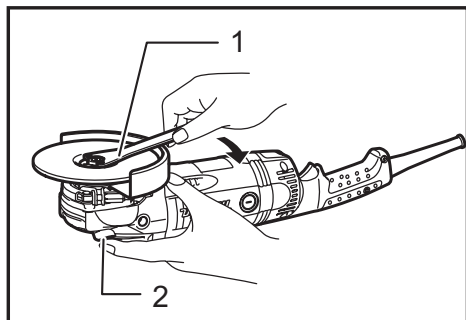
⚠ WARNING:

- Always use supplied guard when depressed center grinding wheel/Multi-disc is on tool. Wheel can shatter during use and guard helps to reduce chances of personal injury.



▶ 1. Lock nut 2. Depressed center grinding wheel/Multi-disc 3. Inner flange

Mount the inner flange onto the spindle. Fit the wheel/disc on the inner flange and screw the lock nut with its protrusion facing downward (facing toward the wheel). To tighten the lock nut, press the shaft lock firmly so that the spindle cannot revolve, then use the lock nut wrench and securely tighten clockwise.



▶ 1. Lock nut wrench 2. Shaft lock

To remove the wheel, follow the installation procedure in reverse.

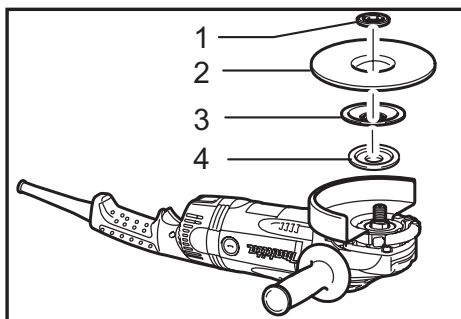
NOTE:

- In countries other than United States and Canada, Inner flange 45 can be also used.

Installing or removing flex wheel (optional accessory)

⚠ WARNING:

- Always use supplied guard when flex wheel is on tool. Wheel can shatter during use and guard helps to reduce chances of personal injury.



▶ 1. Lock nut 2. Flex wheel 3. Plastic pad 4. Inner flange

Follow instructions for depressed center grinding wheel/Multi-disc but also use plastic pad over wheel. See order of assembly on accessories page in this manual.

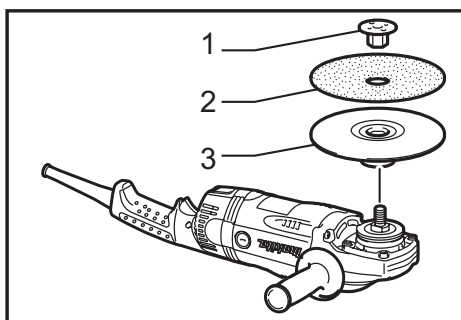
NOTE:

- In countries other than United States and Canada, Inner flange 45 can be also used.

Installing or removing abrasive disc (optional accessory)

NOTE:

- Use sander accessories specified in this manual. These must be purchased separately.



▶ 1. Lock nut 2. Abrasive disc 3. Rubber pad

Mount the rubber pad onto the spindle. Fit the disc on the rubber pad and screw the lock nut onto the spindle. To tighten the lock nut, press the shaft lock firmly so that the spindle cannot revolve, then use the lock nut wrench and securely tighten clockwise. To remove the disc, follow the installation procedure in reverse.

OPERATION

⚠ WARNING:

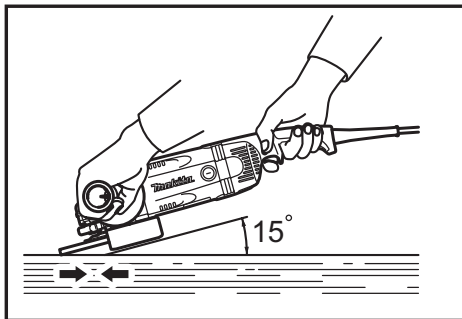
- It should never be necessary to force the tool. The weight of the tool applies adequate pressure. Forcing and excessive pressure could cause dangerous wheel breakage.
- ALWAYS replace wheel if tool is dropped while grinding.
- NEVER bang or hit grinding disc or wheel onto work.
- Avoid bouncing and snagging the wheel, especially when working corners, sharp edges etc. This can cause loss of control and kickback.
- NEVER use tool with wood cutting blades and other sawblades. Such blades when used on a grinder frequently kick and cause loss of control leading to personal injury.

⚠ CAUTION:

- Never switch on the tool when it is in contact with the workpiece, it may cause an injury to operator.
- Always wear safety goggles or a face shield during operation.
- After operation, always switch off the tool and wait until the wheel has come to a complete stop before putting the tool down.

Grinding and sanding operation

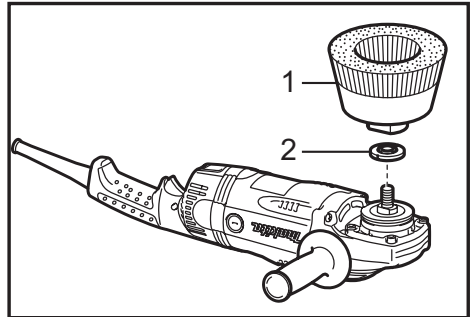
ALWAYS hold the tool firmly with one hand on rear handle and the other on the side handle. Turn the tool on and then apply the wheel or disc to the workpiece. In general, keep the edge of the wheel or disc at an angle of about 15 degrees to the workpiece surface. During the break-in period with a new wheel, do not work the grinder in the B direction or it will cut into the workpiece. Once the edge of the wheel has been rounded off by use, the wheel may be worked in both A and B direction.



Operation with wire cup brush (optional accessory)

⚠ CAUTION:

- Check operation of brush by running tool with no load, insuring that no one is in front of or in line with brush.
- Do not use brush that is damaged, or which is out of balance. Use of damaged brush could increase potential for injury from contact with broken brush wires.



► 1. Wire cup brush 2. Urethane washer

Unplug tool and place it upside down allowing easy access to spindle. Remove any accessories on spindle. Mount urethane washer then thread wire cup brush onto spindle and tighten with supplied wrench. When using brush, avoid applying too much pressure which causes over bending of wires, leading to premature breakage.

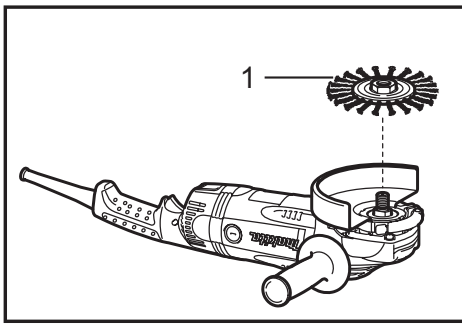
NOTE:

- When using wire cup brush, mount urethane washer to the spindle. It will make it easier to remove wire cup brush.

Operation with wire wheel brush (optional accessory)

⚠ CAUTION:

- Check operation of wire wheel brush by running tool with no load, insuring that no one is in front of or in line with the wire wheel brush.
- Do not use wire wheel brush that is damaged, or which is out of balance. Use of damaged wire wheel brush could increase potential for injury from contact with broken wires.
- ALWAYS use guard with wire wheel brushes, assuring diameter of wheel fits inside guard. Wheel can shatter during use and guard helps to reduce chances of personal injury.



► 1. Wire wheel brush

Unplug tool and place it upside down allowing easy access to spindle. Remove any accessories on spindle. Thread wire wheel brush onto spindle and tighten with the wrenches.

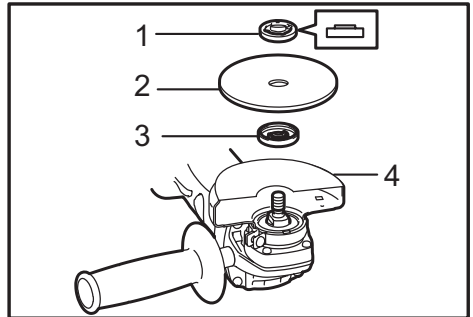
When using wire wheel brush, avoid applying too much pressure which causes over bending of wires, leading to premature breakage.

Operation with abrasive cut-off / diamond wheel (optional accessory)

⚠ WARNING:

- When using an abrasive cut-off / diamond wheel, be sure to use only the special wheel guard designed for use with cut-off wheels. (In some European countries, when using a diamond wheel, the ordinary guard can be used. Follow the regulations in your country.)
- NEVER use cut-off wheel for side grinding.
- Do not "jam" the wheel or apply excessive pressure. Do not attempt to make an excessive depth of cut. Overstressing the wheel increases the loading and susceptibility to twisting or binding of the wheel in the cut and the possibility of kickback, wheel breakage and overheating of the motor may occur.
- Do not start the cutting operation in the workpiece. Let the wheel reach full speed and carefully enter into the cut moving the tool forward over the workpiece surface. The wheel may bind, walk up or kickback if the power tool is started in the workpiece.
- During cutting operations, never change the angle of the wheel. Placing side pressure on the cut-off wheel (as in grinding) will cause the wheel to crack and break, causing serious personal injury.
- A diamond wheel shall be operated perpendicular to the material being cut.

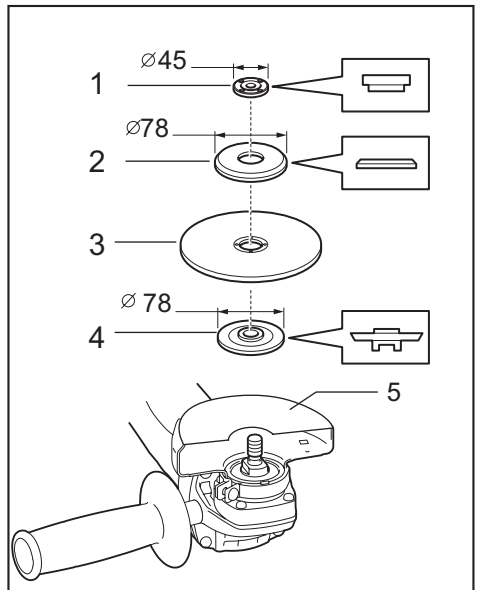
Mount the inner flange onto the spindle. Fit the wheel/disc on the inner flange and screw the lock nut onto the spindle.



► 1. Lock nut 2. Abrasive cut-off wheel/diamond wheel 3. Inner flange 4. Wheel guard for abrasive cut-off wheel/diamond wheel

For United States and Canada

Installing or removing abrasive cut-off wheel/ diamond wheel (optional accessory)



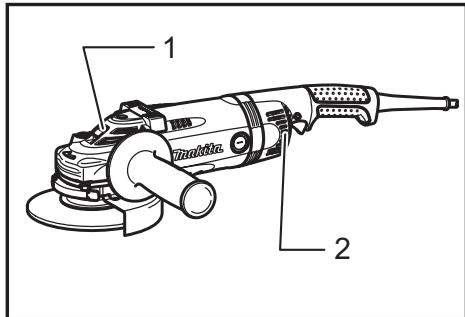
► 1. Lock nut 2. Outer flange 78 3. Abrasive cut-off wheel/diamond wheel 4. Inner flange 78 5. Wheel guard for abrasive cut-off wheel/diamond wheel

MAINTENANCE

⚠ CAUTION:

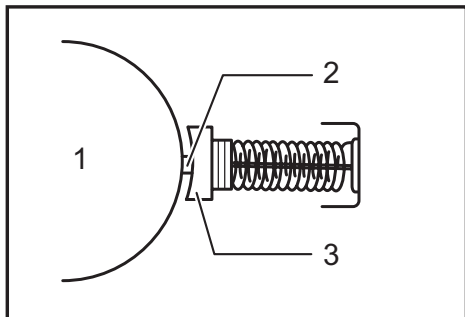
- Always be sure that the tool is switched off and unplugged before attempting to perform inspection or maintenance.
- Never use gasoline, benzene, thinner, alcohol or the like. Discoloration, deformation or cracks may result.

The tool and its air vents have to be kept clean. Regularly clean the tool's air vents or whenever the vents start to become obstructed.



- 1. Exhaust vent 2. Inhalation vent

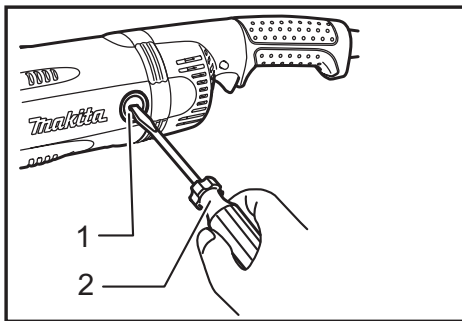
Replacing carbon brushes



- 1. Commutator 2. Insulating tip 3. Carbon brush

When the resin insulating tip inside the carbon brush is exposed to contact the commutator, it will automatically shut off the motor. When this occurs, both carbon brushes should be replaced. Keep the carbon brushes clean and free to slip in the holders. Both carbon brushes should be replaced at the same time. Use only identical carbon brushes.

Use a screwdriver to remove the brush holder caps. Take out the worn carbon brushes, insert the new ones and secure the brush holder caps.



- 1. Brush holder cap 2. Screwdriver

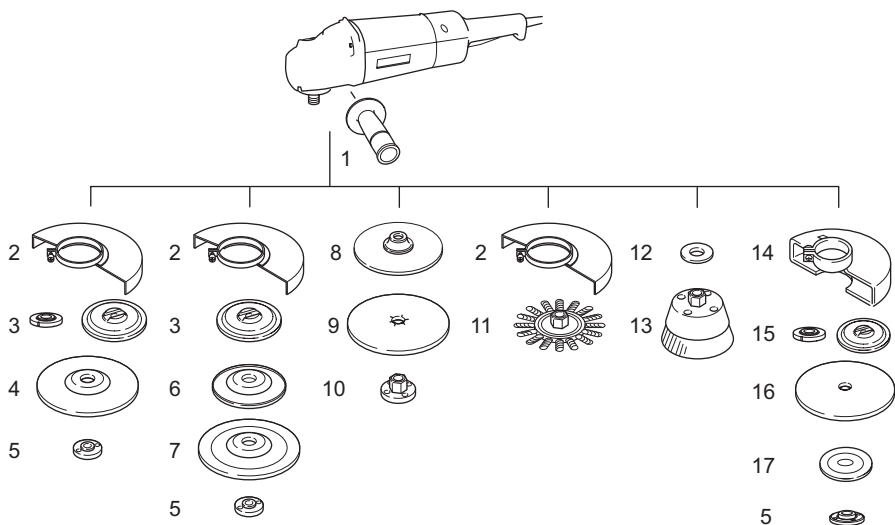
To maintain product SAFETY and RELIABILITY, repairs, any other maintenance or adjustment should be performed by Makita Authorized or Factory Service Centers, always using Makita replacement parts.

OPTIONAL ACCESSORIES

⚠ CAUTION:

- These accessories or attachments are recommended for use with your Makita tool specified in this manual. The use of any other accessories or attachments might present a risk of injury to persons. Only use accessory or attachment for its stated purpose.
- Your tool is supplied with a guard for use with any recommended grinding wheel, multi-disc, flex wheel and wire wheel brush. If a diamond wheel and/or cut-off wheel are also available for use with the tool, they should only be used with the appropriate optional guard for cut-off wheels.
If you decide to use your Makita grinder with approved accessories which you purchase from your Makita distributor or factory service center, be sure to obtain and use all necessary fasteners and guards as recommended in this manual. Your failure to do so could result in personal injury to you and others.

If you need any assistance for more details regarding these accessories, ask your local Makita Service Center.



1	Side grip
2	Wheel guard
3	Inner flange 45 / Inner flange 89 *1
4	Depressed center grinding wheel / Multi-disc
5	Lock nut 5/8 - 45
6	Back up pad
7	Flex wheel
8	Rubber pad 170
9	Abrasive disc
10	Sanding lock nut 5/8 - 48
11	Wire wheel brush
12	Urethane washer 14
13	Wire cup brush
14	Wheel guard (for abrasive cut-off / diamond wheel)
15	Inner flange 45 / Inner flange 78 (United States and Canada only)*2
16	Abrasive cut-off wheel / Diamond wheel
17	Outer flange 78 (United States and Canada only) *2
—	Lock nut wrench 28

*1 In countries other than United States and Canada, Inner flange 45 can be also used.

*2 Use inner flange 78 and outer flange 78 together (United States and Canada only).

NOTE:

- Some items in the list may be included in the tool package as standard accessories. They may differ from country to country.

MAKITA LIMITED WARRANTY

Please refer to the annexed warranty sheet for the most current warranty terms applicable to this product. If annexed warranty sheet is not available, refer to the warranty details set forth at below website for your respective country.

United States of America: www.makitatools.com

Canada: www.makita.ca

Other countries: www.makita.com

SPÉCIFICATIONS

Modèle	GA7031	GA7031Y	GA9031	GA9031Y
Diamètre de la meule	180 mm (7")		230 mm (9")	
Épaisseur max. meule	6,5 mm (1/4")			
Filetage de l'arbre	15,87 mm (5/8")		15,87 mm (5/8")	
Vitesse nominale (n) / Vitesse à vide (n ₀)	8 500 /min		6 600 /min	
Longueur totale	504 mm (19-7/8")		504 mm (19-7/8")	
Poids net	6,3 kg (13,9 lbs)		6,5 kg (14,4 lbs)	

- Étant donné l'évolution constante de notre programme de recherche et de développement, les spécifications contenues dans ce manuel sont sujettes à modification sans préavis.
- Les spécifications peuvent varier suivant les pays.
- Poids conforme à la procédure EPTA du 01/2003

Consignes de sécurité générales pour outils électriques

⚠ MISE EN GARDE Veuillez lire toutes les mises en garde de sécurité et toutes les instructions.

L'ignorance des mises en garde et des instructions comporte un risque de choc électrique, d'incendie et/ou de blessure grave.

Conservez toutes les mises en garde et instructions pour référence future.

Le terme « outil électrique » qui figure dans les avertissements fait référence à un outil électrique branché sur une prise de courant (par un cordon d'alimentation) ou alimenté par batterie (sans fil).

Sécurité de la zone de travail

1. **Maintenez la zone de travail propre et bien éclairée.** Les zones de travail encombrées ou sombres ouvrent grande la porte aux accidents.
2. **N'utilisez pas les outils électriques dans les atmosphères explosives, par exemple en présence de liquides, gaz ou poussières inflammables.** Les outils électriques produisent des étincelles au contact desquelles la poussière ou les vapeurs peuvent s'enflammer.
3. **Assurez-vous qu'aucun enfant ou curieux ne s'approche pendant que vous utilisez un outil électrique.** Vous risquez de perdre la maîtrise de l'outil si votre attention est détournée.

Sécurité en matière d'électricité

4. **Les fiches d'outil électrique sont conçues pour s'adapter parfaitement aux prises de courant. Ne modifiez jamais la fiche de quelque façon que ce soit. N'utilisez aucun adaptateur de fiche sur les outils électriques avec mise à la terre.** En ne modifiant pas les fiches et en les insérant dans des prises de courant pour lesquelles elles ont été conçues vous réduirez les risques de choc électrique.
5. **Évitez tout contact corporel avec les surfaces mises à la terre, telles que les tuyaux, radiateurs, cuisinières et réfrigérateurs.** Le risque de choc électrique est plus élevé si votre corps se trouve mis à la terre.

6. **N'exposez pas les outils électriques à la pluie ou à l'eau.** La présence d'eau dans un outil électrique augmente le risque de choc électrique.
7. **Ne maltraitez pas le cordon. N'utilisez jamais le cordon pour transporter, tirer ou débrancher l'outil électrique. Maintenez le cordon à l'écart des sources de chaleur, de l'huile, des objets à bords tranchants et des pièces en mouvement.** Le risque de choc électrique est plus élevé lorsque les cordons sont endommagés ou enchevêtrés.
8. **Lorsque vous utilisez un outil électrique à l'extérieur, utilisez un cordon prolongateur prévu à cette fin.** Les risques de choc électrique sont moindres lorsqu'un cordon conçu pour l'extérieur est utilisé.
9. **Si vous devez utiliser un outil électrique dans un endroit humide, utilisez une source d'alimentation protégée par un disjoncteur de fuite à la terre.** L'utilisation d'un disjoncteur de fuite à la terre réduit le risque de choc électrique.

Sécurité personnelle

10. **Restez alerte, attentif à vos mouvements et faites preuve de bon sens lorsque vous utilisez un outil électrique. Évitez d'utiliser un outil électrique si vous êtes fatigué ou si vous avez pris une drogue, de l'alcool ou un médicament.** Un moment d'inattention pendant l'utilisation d'un outil électrique peut entraîner une grave blessure.
11. **Portez des dispositifs de protection personnelle. Portez toujours un protecteur pour la vue.** Les risques de blessure seront moins élevés si vous utilisez des dispositifs de protection tels qu'un masque antipoussières, des chaussures à semelle antidérapante, une coiffure résistante ou une protection d'oreilles.
12. **Évitez les démarrages accidentels. Assurez-vous que l'interrupteur soit en position d'arrêt avant de brancher l'outil à la prise électrique et/ou au bloc-piles, avant de prendre ou de transporter l'outil.** Vous ouvrez la porte aux accidents si vous transportez les outils électriques avec le doigt sur l'interrupteur ou si vous les branchez alors que l'interrupteur est en position de marche.

13. **Retirez toute clé de réglage ou de serrage avant de mettre l'outil sous tension.** Toute clé laissée en place sur une pièce rotative de l'outil électrique peut entraîner une blessure.
14. **Maintenez une bonne position. Assurez-vous d'une bonne prise au sol et d'une bonne position d'équilibre en tout temps.** Cela vous permettra d'avoir une meilleure maîtrise de l'outil dans les situations imprévues.
15. **Portez des vêtements adéquats. Ne portez ni vêtements amples ni bijoux. Vous devez maintenir cheveux, vêtements et gants à l'écart des pièces en mouvement.** Les pièces en mouvement peuvent happer les vêtements amples, les bijoux et les cheveux longs.
16. **Si des accessoires sont fournis pour raccorder un appareil d'aspiration et de collecte de la poussière, assurez-vous qu'ils sont correctement raccordés et qu'ils sont utilisés de manière adéquate.** L'utilisation d'un appareil d'aspiration permet de réduire les risques liés à la présence de poussière dans l'air.

Utilisation et entretien des outils électriques

17. **Ne forcez pas l'outil électrique. Utilisez l'outil électrique adéquat suivant le type de travail à effectuer.** Si vous utilisez l'outil électrique adéquat et respectez le régime pour lequel il a été conçu, il effectuera un travail de meilleure qualité et de façon plus sécuritaire.
18. **N'utilisez pas l'outil électrique s'il n'est pas possible de mettre sa gâchette en position de marche et d'arrêt.** Un outil électrique dont l'interrupteur est défectueux représente un danger et doit être réparé.
19. **Débranchez la fiche de la source d'alimentation et/ou retirez le bloc-piles de l'outil électrique avant d'effectuer tout réglage, de changer un accessoire ou de ranger l'outil électrique.** De telles mesures préventives réduisent les risques de démarrage accidentel de l'outil électrique.
20. **Après l'utilisation d'un outil électrique, rangez-le hors de portée des enfants et ne laissez aucune personne l'utiliser si elle n'est pas familiarisée avec l'outil électrique ou les présentes instructions d'utilisation.** Les outils électriques représentent un danger entre les mains de personnes qui n'en connaissent pas le mode d'utilisation.

21. **Veillez à l'entretien des outils électriques. Assurez-vous que les pièces mobiles ne sont pas désalignées ou coincées, qu'aucune pièce n'est cassée et que l'outil électrique n'a subi aucun dommage affectant son bon fonctionnement.** Le cas échéant, faites réparer l'outil électrique avant de l'utiliser. De nombreux accidents sont causés par des outils électriques mal entretenus.
22. **Maintenez les outils tranchants bien aiguisés et propres.** Un outil tranchant dont l'entretien est effectué correctement et dont les bords sont bien aiguisés risquera moins de se coincer et sera plus facile à maîtriser.
23. **Utilisez l'outil électrique, ses accessoires, ses embouts, etc., en respectant les présentes instructions, en tenant compte des conditions de travail et du type de travail à effectuer.** L'utilisation d'un outil électrique à des fins autres que celles prévues peut entraîner une situation dangereuse.

Réparation

24. **Faites réparer votre outil électrique par un réparateur qualifié qui utilise des pièces de rechange identiques aux pièces d'origine.** Le maintien de la sûreté de l'outil électrique sera ainsi assuré.
25. **Suivez les instructions de lubrification et de changement des accessoires.**
26. **Maintenez les poignées de l'outil sèches, propres et exemptes d'huile ou de graisse.**
UTILISEZ UN CORDON PROLONGATEUR APPROPRIÉ. Assurez-vous que votre cordon prolongateur est en bonne condition. Lorsque vous utilisez un cordon prolongateur, assurez-vous qu'il est assez robuste pour transporter le courant exigé par le produit. Un cordon qui est trop petit entraînera une baisse dans la tension composée, ce qui causera une perte d'énergie et un surchauffage. Le tableau 1 indique la dimension de cordon à utiliser, en fonction de la longueur du cordon et de l'intensité nominale figurant sur la plaque signalétique. En cas de doute, utilisez un cordon plus robuste. Plus le numéro de calibre est bas, plus le cordon est robuste.

Tableau 1. Gabarit minimum du cordon

Intensité nominale		Volts	Longueur totale du cordon en pieds			
		120V	25 pi	50 pi	100 pi	150 pi
		220V - 240V	50 pi	100 pi	200 pi	300 pi
Plus de	Pas plus de	Calibre américain des fils				
0	6	/	18	16	16	14
6	10		18	16	14	12
10	12		16	16	14	12
12	16		14	12	Non recommandé	

CONSIGNES DE SÉCURITÉ POUR LA MEULEUSE

Mises en garde communes pour le meulage, le ponçage, le broissage métallique ou le découpage par meule abrasive :

1. Cet outil électrique est conçu pour fonctionner comme une meuleuse, une ponceuse, une brosse métallique ou un outil de découpe. Veuillez lire l'ensemble des mises en garde de sécurité, instructions, illustrations et spécifications fournies pour cet outil. Il existe un risque de décharge électrique, d'incendie et/ou de blessure grave si toutes les instructions énumérées ci-dessous ne sont pas respectées.
2. Il n'est pas recommandé d'utiliser cet outil électrique pour des opérations comme le polissage. Les opérations pour lesquelles l'outil n'a pas été conçu peuvent générer une situation dangereuse et provoquer des blessures.
3. N'utilisez pas d'accessoire n'étant pas conçu et recommandé spécifiquement par le fabricant de l'outil. Même si vous pouvez fixer l'accessoire à l'outil, cela ne garantit pas pour autant un fonctionnement sécuritaire.
4. La vitesse nominale de l'accessoire doit être au moins égale à la vitesse maximale marquée sur l'outil. Les accessoires fonctionnant à une vitesse supérieure à leur vitesse nominale peuvent se briser et voler en morceau.
5. Le diamètre extérieur et l'épaisseur de votre accessoire doivent respecter la capacité nominale de votre outil. Il est impossible de protéger ou de contrôler adéquatement les accessoires d'une dimension inappropriée.
6. Le montage fileté d'accessoires doit être adapté au filet de l'arbre de la meuleuse. Pour les accessoires montés avec des flasques, l'alésage central de l'accessoire doit s'adapter correctement au diamètre de l'orifice de positionnement du flasque. Les accessoires qui ne correspondent pas aux éléments de montage de l'outil électrique seront en déséquilibre, vibreront de manière excessive et risqueront de provoquer une perte de contrôle.
7. N'utilisez pas un accessoire s'il est endommagé. Avant chaque utilisation, examinez les accessoires : présence de copeaux et fissures sur les meules abrasives, de fissures, déchirures ou d'usure excessive sur la plaque de presse et de fils desserrés ou fissurés sur la brosse métallique. Si un outil électrique ou un accessoire subit une chute, vérifiez s'il n'a pas été endommagé ou installez un nouvel accessoire. Après avoir inspecté et installé un accessoire, faites en sorte que tout le monde (vous-même, les curieux) se trouve hors de portée de l'accessoire rotatif. Ensuite, faites fonctionner l'outil à sa vitesse à vide maximale durant une minute. Généralement, si un accessoire est endommagé il se brisera durant ce test.
8. Portez un équipement de protection individuel. Selon l'application, utilisez un écran facial, un masque ou des lunettes de sécurité. Lorsque la situation le nécessite, portez un masque anti-poussière, un appareil antibruit, des gants et un tablier capable d'arrêter les petits fragments abrasifs ou ceux de l'ouvrage. L'appareil de protection des yeux doit être en mesure d'arrêter les débris projetés par toutes les opérations.

Le masque anti-poussière ou le respirateur doit être capable de filtrer les particules générées par l'opération que vous effectuez. Une exposition prolongée à un bruit de forte intensité peut provoquer une perte d'audition.

9. Maintenez les curieux à une distance sécuritaire de la zone de travail. Toute personne entrant dans la zone de travail doit porter un équipement de protection individuelle. Il est possible que des fragments de l'ouvrage ou d'un accessoire brisé soient propulsés et provoquent des blessures hors de la zone immédiate de fonctionnement.
10. Tenez l'outil électrique uniquement par ses surfaces de prise isolées pendant toute opération où l'accessoire de coupe pourrait venir en contact avec un câblage dissimulé ou avec son propre cordon. En cas de contact de l'accessoire de coupe avec un conducteur sous tension, les pièces métalliques à découvert de l'outil électrique risqueraient de transmettre une décharge à l'utilisateur.
11. Positionnez le cordon loin de l'accessoire rotatif. Si vous perdez le contrôle, le cordon pourrait être sectionné ou accroché et il est possible que votre main ou votre bras soit tiré dans l'accessoire rotatif.
12. Ne reposez jamais l'outil tant que l'accessoire n'est pas complètement arrêté. L'accessoire rotatif pourrait s'agripper à la surface et rendre l'outil incontrôlable.
13. Ne faites pas fonctionner l'outil lorsque vous le transportez. Un contact accidentel avec l'accessoire rotatif pourrait accrocher vos vêtements et entraîner l'accessoire vers votre corps.
14. Nettoyez régulièrement les fentes d'aération. Le ventilateur du moteur attirera la poussière à l'intérieur du boîtier et une accumulation excessive de métal fritté pourrait provoquer des dangers électriques.
15. N'utilisez pas l'outil électrique près de matériaux inflammables. Les étincelles qui jaillissent de l'outil risqueraient de faire prendre en feu ces matériaux.
16. N'utilisez pas d'accessoires nécessitant de réfrigérants fluides. L'utilisation d'eau ou d'autre réfrigérants fluides pourrait provoquer l'électrocution ou une décharge électrique.

Recul et avertissements liés

Le recul est une réaction soudaine d'une meule, d'une plaque de presse, d'une brosse ou de tout autre accessoire en rotation accroché ou pincé. Le pincement ou l'accrochage provoque un décrochage rapide de l'accessoire en rotation qui force l'outil électrique dans la direction opposée de rotation de l'accessoire au point de coincement.

Par exemple, si une meule abrasive est accrochée ou pincée par l'ouvrage, le bord de la meule qui entre dans le point de pincement peut entrer dans la surface du matériau et faire détacher la meule. La meule peut s'éjecter en direction de l'opérateur ou au loin, selon la direction du mouvement de la meule au point de pincement. Les meules abrasives peuvent aussi se casser dans de telles conditions.

Le recul est le résultat d'une utilisation inadéquate de l'outil électrique et/ou de procédures ou conditions d'utilisation incorrectes ; on peut l'éviter en prenant des précautions adéquates, indiquées ci-dessous.

a) **Maintenez une bonne prise sur l'outil et positionnez votre corps afin de vous permettre de résister aux forces de recul. Utilisez toujours la poignée latérale, le cas échéant, pour contrôler au maximum le recul ou la réaction de couple durant le démarrage.** Si les précautions adéquates ont été prises, l'opérateur peut contrôler les réactions de couple ou les forces de recul.

b) **Ne placez jamais votre main près de l'accessoire en rotation.** L'accessoire pourrait reculer sur votre main.

c) **Ne positionnez pas votre corps dans la zone où l'outil se déplacera si un recul se produit.** Un recul propulsera l'outil dans la direction opposée au mouvement de la roue, à l'endroit où s'est produit l'accrochage.

d) **Soyez particulièrement prudent lorsque vous travaillez sur des coins, des bords pointus, etc. Évitez que l'accessoire ne rebondisse et ne s'accroche.** Les coins, les bords pointus ou les rebondissements, ont tendance à générer un accrochage de l'accessoire rotatif et à provoquer une perte de contrôle ou un recul.

e) **N'installez pas de chaîne coupante, de lame à ciseler ou de lame de scie à denture.** De telles lames provoquent fréquemment des reculs et des pertes de contrôle.

Mises en garde de sécurité particulières pour le meulage et le découpage par meule abrasive :

a) **N'utilisez que les types de meule recommandés pour votre outil électrique et le carter spécifique pour la meule choisie.** Les meules pour lesquelles l'outil électrique n'a pas été conçu ne peuvent pas être protégées de façon adéquate et sont dangereuses.

b) **La surface de meulage des meules à moyeu déporté doit être montée sous le plan de la lèvres du protecteur.** Une meule montée de manière incorrecte qui dépasse du plan de la lèvres du protecteur ne peut pas être protégée de manière appropriée.

c) **Le protecteur doit être fixé et positionné de façon sécurisée à l'outil électrique, de sorte que seule une partie infime de la meule soit exposée à l'opérateur.** Le protecteur protège l'opérateur des fragments de meule cassée, de tout contact accidentel avec la meule et d'étincelles qui pourraient enflammer les vêtements.

d) **Les meules ne doivent être utilisées que pour des applications recommandées. Par exemple : ne meulez pas avec le côté de la meule à tronçonner.** Les meules à tronçonner abrasives sont conçues pour le meulage périphérique. Elles peuvent être brisées par l'application d'une force latérale.

e) **Utilisez toujours des flasques de meule non endommagés avec une taille et une forme correspondant à votre meule.** Les flasques adéquats supportent la meule tout en réduisant les risques de cassure. Les flasques de meules à tronçonner peuvent être différents des flasques de meules de travail.

f) **N'utilisez pas de meules usées d'outils électriques plus grands.** Les meules pour outils électriques plus grands ne conviennent pas à la vitesse plus élevée d'un outil plus petit et elles peuvent éclater.

Mises en garde de sécurité particulières supplémentaires pour le découpage par meule abrasive :

a) **Ne bloquez pas la meule à tronçonner et n'appliquez pas de pression excessive. N'essayez pas de faire une découpe trop profonde.** Une surcharge de la meule augmente la charge et la susceptibilité de torsion ou de coincement de la meule dans la coupe et la possibilité de recul ou de cassure de la meule.

b) **Ne positionnez pas votre corps dans l'alignement et derrière la meule en rotation.**

Lorsque la meule, en fonctionnement, s'éloigne de votre corps, le recul possible peut propulser la meule en rotation et l'outil directement vers vous.

c) **Lorsque la meule se coince ou que vous interrompez une coupe pour une raison quelconque, éteignez l'outil électrique et maintenez-le immobile jusqu'à ce que la meule s'arrête complètement. Ne cherchez jamais à sortir la meule à tronçonner de la coupe pendant que la meule est encore en mouvement, car vous vous exposeriez à un recul.** Si la meule a tendance à se coincer, recherchez-en la cause et apportez les correctifs appropriés.

d) **Ne redémarrez pas le découpage dans l'ouvrage. Laissez la meule atteindre sa pleine vitesse et remplacez avec précaution l'outil dans la coupe.** La meule peut se coincer, se rapprocher ou provoquer un recul si l'outil électrique est redémarré dans l'ouvrage.

e) **Utilisez des panneaux ou tout ouvrage surdimensionné pour réduire le risque de pincement ou de recul de la meule.** Les grands ouvrages ont tendance à s'affaisser sous leur propre poids. Placez des points d'appui sous l'ouvrage près de la ligne de coupe et près des bords de l'ouvrage des deux côtés de la meule.

f) **Soyez particulièrement prudent lorsque vous découpez une ouverture dans une cloison existante ou tout autre matériau dont l'arrière n'est pas visible.** La meule pourrait couper une conduite de gaz ou d'eau, des fils électriques ou des objets, ce qui provoquerait un recul.

Mises en garde de sécurité particulières pour le ponçage :

a) **N'utilisez pas de disque abrasif surdimensionné. Respectez les recommandations du fabricant lors de la sélection du papier abrasif.** Un papier abrasif plus large que le patin de ponçage représente un risque de laceration et peut provoquer l'accrochage ou la déchirure du disque, ou un recul.

Mises en garde de sécurité particulières pour le brossage métallique :

a) **Des fils métalliques sont projetés par la brosse même lors d'un fonctionnement normal. Ne surchargez pas les fils en appliquant une charge excessive sur la brosse.** Les fils métalliques peuvent facilement pénétrer dans les tissus légers et/ou la peau.

b) **Si le recours à un protecteur est recommandé pour le brossage métallique, ne laissez aucune interférence se produire entre la brosse métallique circulaire ou la brosse et le protecteur.** Le diamètre de la brosse métallique circulaire ou de la brosse peut s'élargir sous l'effet de la charge de travail et des forces centrifuges.

Consignes de sécurité supplémentaire :




17. Lors de l'utilisation des meules à moyeu déporté, assurez-vous d'utiliser exclusivement des meules renforcées de fibre de verre.
18. N'UTILISEZ JAMAIS de meule boisseau pour pierre avec cet outil. Cette meuleuse n'est pas conçue pour ce type de meules, et l'utilisation d'un tel produit pourrait provoquer des blessures graves.
19. Prenez garde d'endommager l'axe, le flasque (tout particulièrement sa surface de pose) ou le contre-écrou. La meule risque de casser si ces pièces sont endommagées.
20. Assurez-vous que la meule n'entre pas en contact avec la pièce avant de mettre l'outil sous tension.
21. Avant d'utiliser l'outil sur la pièce elle-même, laissez-le tourner un instant. Soyez attentif à toute vibration ou sautellement pouvant indiquer que la meule n'est pas bien installée ou qu'elle est mal équilibrée.
22. Utilisez la face spécifiée de la meule pour meuler.
23. N'abandonnez pas l'outil alors qu'il tourne. Ne faites fonctionner l'outil qu'une fois que vous l'avez bien en main.
24. Ne touchez pas la pièce immédiatement après l'utilisation ; elle peut être très chaude et brûler votre peau.
25. Lisez les instructions du fabricant sur le montage correct et l'utilisation des meules. Manipulez et conservez les meules avec précaution.
26. N'utilisez pas de bagues de réduction ou d'adaptateurs séparés pour adapter des meules abrasives de gros diamètre.
27. Utilisez exclusivement les flasques spécifiés pour cet outil.
28. Pour les outils conçus pour l'utilisation avec une meule à trou fileté, assurez-vous que la longueur du filetage de la meule convient à la longueur de l'axe.
29. Vérifiez que la pièce est correctement soutenue.
30. Soyez conscient que la meule continue de tourner une fois l'outil mis hors tension.
31. Si le lieu de travail est extrêmement chaud et humide, ou très pollué par de la poussière conductrice, utilisez un disjoncteur de court-circuit (30 mA) afin d'assurer que l'opérateur est protégé adéquatement.
32. N'utilisez pas l'outil sur des matériaux contenant de l'amiante.
33. Lorsque vous utilisez une meule à tronçonner, travaillez toujours avec le carter de collecte de poussière exigé par la réglementation locale.
34. Aucune pression latérale ne doit être exercée sur les disques de découpe.
35. Ne portez pas de gants de travail en tissu pour l'utilisation. Les fibres des gants de tissus pourraient pénétrer dans l'outil et briser l'outil.

CONSERVEZ CE MODE D'EMPLOI.

⚠ MISE EN GARDE : NE VOUS LAISSEZ PAS tromper (au fil d'une utilisation répétée) par un sentiment d'aisance ou de familiarité avec le produit en négligeant les consignes de sécurité qui accompagnent le produit. L'utilisation non sécuritaire ou incorrecte de cet outil comporte un risque de blessure grave.

Symboles

Les symboles utilisés pour l'outil sont indiqués ci-dessous.

V	volt
A	ampères
Hz	hertz
	courant alternatif
	courant alternatif ou continu
n	vitesse nominale
n ₀	vitesse à vide
	construction, catégorie II
... /min r /min	tours ou alternances par minute

DESCRIPTION DU FONCTIONNEMENT

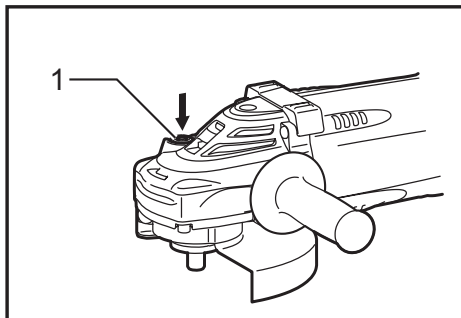
⚠ ATTENTION :

- Assurez-vous toujours que l'outil est hors tension et débranché avant de l'ajuster ou de vérifier son fonctionnement.

Blocage de l'arbre

⚠ ATTENTION :

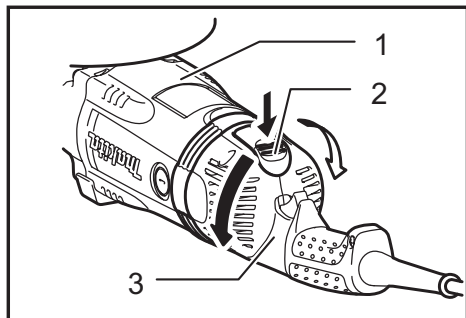
- N'activez jamais le blocage de l'arbre alors que l'arbre bouge. Vous pourriez endommager l'outil.



► 1. Verrouillage de l'arbre

Appuyez sur le blocage de l'arbre pour empêcher l'arbre de tourner lors de l'installation ou du retrait des accessoires.

Positions de montage de la poignée d'interrupteur



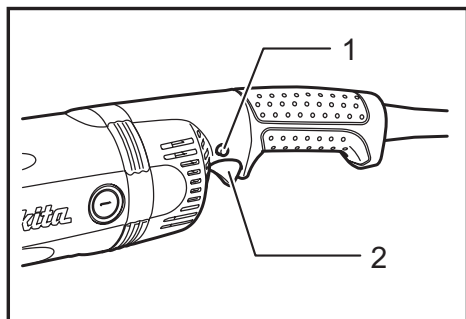
- 1. Boîtier du moteur 2. Bouton de verrouillage
3. Manche

Il est possible de faire pivoter la poignée d'interrupteur de 90° vers la gauche ou la droite selon le type de travail à exécuter. Débranchez d'abord l'outil. Appuyez sur le bouton de verrouillage et faites pivoter la poignée d'interrupteur complètement vers la gauche ou la droite. La poignée d'interrupteur se verrouillera dans cette position.

⚠ATTENTION :

- Avant d'utiliser l'outil, assurez-vous toujours que la poignée d'interrupteur est verrouillée sur la position désirée.

Interrupteur



- 1. Bouton de verrouillage / Bouton de sécurité
2. Gâchette

Pour outil avec bouton de sécurité

⚠ATTENTION :

- Avant de brancher l'outil, assurez-vous toujours que la gâchette fonctionne correctement et revient en position d'arrêt une fois relâchée.
- **Ne tirez pas fortement sur la gâchette sans avoir enfoncé le bouton de sécurité.** Vous risquez de casser l'interrupteur.

L'outil est doté d'un bouton de sécurité pour éviter l'activation accidentelle de la gâchette.

Pour faire démarrer l'outil, enfoncez le bouton de sécurité puis appuyez sur la gâchette. Pour arrêter l'outil, libérez la gâchette.

Pour outil avec bouton de verrouillage

⚠ATTENTION :

- Avant de brancher l'outil, assurez-vous toujours que la gâchette fonctionne correctement et revient en position d'arrêt une fois relâchée.
- Pour rendre le travail de l'utilisateur plus confortable lors d'une utilisation prolongée, l'interrupteur peut être verrouillé en position de marche. Soyez prudent lorsque vous verrouillez l'outil en position de marche, et maintenez une poigne solide sur l'outil.

Pour faire démarrer l'outil, appuyez simplement sur la gâchette. Pour arrêter l'outil, libérez la gâchette. Pour un fonctionnement continu, appuyez sur la gâchette, enfoncez le bouton de sécurité puis libérez la gâchette.

Pour arrêter l'outil alors qu'il est verrouillé en fonctionnement continu, enfoncez complètement la gâchette puis libérez-la.

ASSEMBLAGE

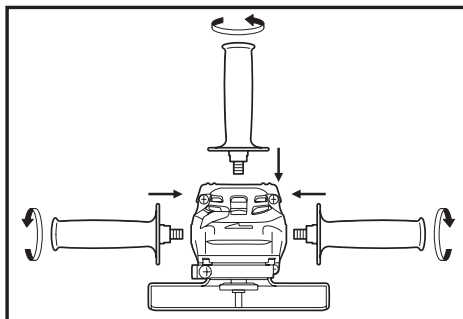
⚠ATTENTION :

- Avant d'effectuer toute intervention sur l'outil, assurez-vous toujours qu'il est hors tension et débranché.

Installation de la poignée latérale (poignée)

⚠ATTENTION :

- Avant d'utiliser l'outil, assurez-vous toujours que la poignée latérale est installée de façon sûre.



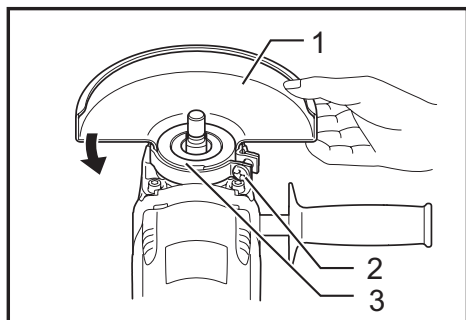
Vissez la poignée latérale à fond sur la position de l'outil comme illustré sur la figure.

Installation ou retrait du carter de meule (Pour meule ou multidisque à moyeu déporté, meule en fils métalliques)

⚠ ATTENTION :

- Si vous utilisez une meule ou un multidisque à moyeu déporté, une meule flexible ou une meule en fils métalliques, le carter de meule doit être placé sur l'outil de sorte que la partie de la meule recouverte par le carter soit du côté de l'utilisateur.

Pour outil avec carter de meule à vis de blocage

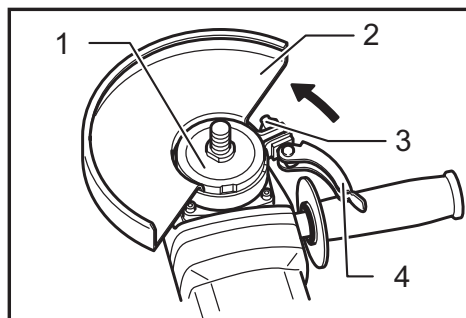


► 1. Carter de meule 2. Vis 3. Cage de roulement

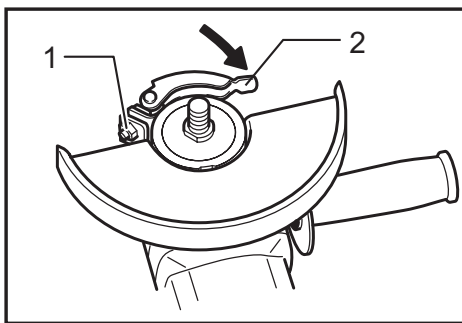
Montez le carter de meule en alignant la partie saillante de sa bande sur l'entaille du boîtier d'engrenage. Faites ensuite tourner le carter de meule de 180 degrés dans le sens inverse des aiguilles d'une montre. Vous devez ensuite serrer la vis fermement.

Pour retirer le carter de meule, suivez la procédure de l'installation de l'autre côté.

Pour outil avec carter de meule à levier de serrage



► 1. Cage de roulement 2. Carter de meule 3. Écrou 4. Levier



► 1. Écrou 2. Levier

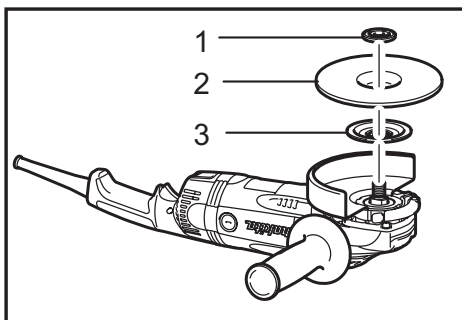
Desserrez le levier sur le carter de meule. Montez le carter de meule en alignant la partie saillante de sa bande sur l'entaille du boîtier d'engrenage. Faites ensuite tourner le carter de meule jusqu'à la position indiquée sur la figure. Serrez le levier pour fixer le carter de meule. Si le levier est trop serré ou s'il n'est pas assez serré pour fixer le carter de meule, serrez ou desserrez l'écrou à l'aide d'une clé à molette pour ajuster le serrage de la bande du carter de meule.

Pour retirer le carter de meule, suivez la procédure de l'installation de l'autre côté.

Installation ou retrait de la meule ou du multidisque à moyeu déporté (accessoire)

⚠ MISE EN GARDE :

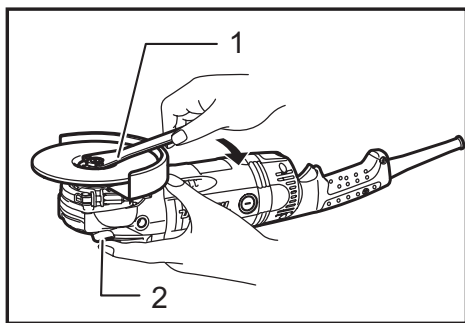
- Utiliser toujours le protecteur fourni lorsque le disque multiple/roue de meulage à centre concave est monté sur l'outil. La roue de meulage peut se briser durant l'utilisation et le protecteur sert à réduire les risques de blessures.



► 1. Contre-écrou 2. Meule à moyeu déporté / Multidisque 3. Bague interne

Montez la bague interne sur l'arbre. Ajustez la meule ou le disque sur la bague interne et vissez le contre-écrou en orientant sa partie saillante vers le bas (vers le disque).

Pour serrer le contre-écrou, appuyez fermement sur le blocage de l'arbre pour empêcher l'arbre de tourner, puis utilisez la clé à contre-écrou en serrant fermement dans le sens des aiguilles d'une montre.



► 1. Clé à contre-écrou 2. Verrouillage de l'arbre

Pour retirer la meule, suivez la procédure de l'installation de l'autre côté.

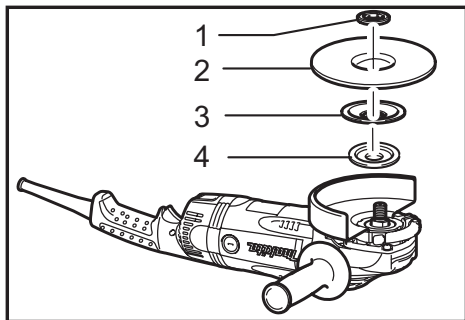
NOTE :

- Dans les pays autres que les États-Unis et le Canada, un flasque intérieur 45 peut également être utilisé.

Installation ou retrait de la meule flexible (accessoire en option)

⚠ MISE EN GARDE :

- Utiliser toujours le protecteur fourni quand la roue de meulage flexible est montée sur l'outil. La roue de meulage peut se briser durant l'utilisation et le protecteur aide à réduire les risques de blessures.



► 1. Contre-écrou 2. Meule flexible 3. Plateau en plastique 4. Bague interne

Suivez les instructions données pour la meule ou le multidisque à moyeu déporté, mais en plaçant également un plateau en plastique sur la meule. Pour l'ordre d'assemblage, référez-vous à la page des accessoires du présent manuel.

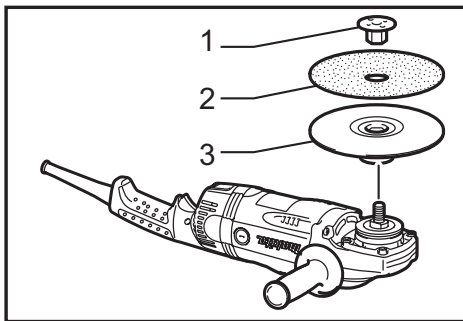
NOTE :

- Dans les pays autres que les États-Unis et le Canada, un flasque intérieur 45 peut également être utilisé.

Installation ou retrait du disque abrasif (accessoire en option)

NOTE :

- Utilisez les accessoires de ponçage recommandés dans le présent manuel d'instructions. Ces derniers doivent être achetés séparément.



► 1. Contre-écrou 2. Disque abrasif 3. Plateau de caoutchouc

Montez le plateau de caoutchouc sur l'arbre. Disposez le disque sur le plateau de caoutchouc et vissez l'écrou de verrouillage sur l'arbre. Pour serrer l'écrou de verrouillage, appuyez fermement sur le blocage de l'arbre, pour empêcher l'arbre de tourner, puis utilisez la clé pour serrer fermement l'écrou de verrouillage dans le sens des aiguilles d'une montre. Pour retirer le disque, suivez la procédure d'installation de l'autre côté.

UTILISATION

⚠ MISE EN GARDE :

- Il n'est jamais nécessaire de forcer l'outil. Le poids de l'outil lui-même suffit à assurer une pression adéquate. Le fait de forcer l'outil ou d'appliquer une pression excessive comporte un risque dangereux de casser la meule.
- Remplacez TOUJOURS la meule lorsque vous échappez l'outil pendant le meulage.
- Ne frappez JAMAIS le disque de meulage ou la meule contre la pièce à travailler.
- Évitez de laisser la meule sautiller ou accrocher, tout spécialement lorsque vous travaillez dans les coins, sur les bords tranchants, etc. Cela peut causer une perte de contrôle et un choc en retour.
- N'utilisez JAMAIS cet outil avec des lames à bois et autres lames de scie. Les lames de ce type sautent fréquemment lorsqu'elles sont utilisées sur une meuleuse et risquent d'entraîner une perte de contrôle pouvant causer des blessures.

⚠ ATTENTION :

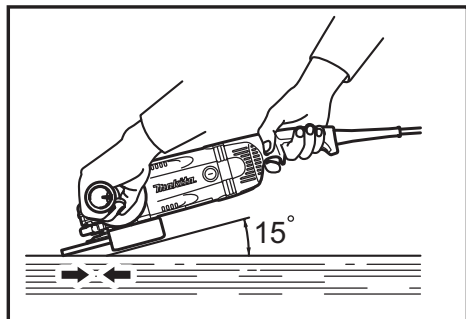
- Ne mettez jamais l'outil en marche alors qu'il se trouve en contact avec la pièce à travailler, pour éviter de vous blesser.
- Portez toujours des lunettes à coques de sécurité ou un écran facial pendant l'opération.
- Après l'utilisation, mettez toujours l'outil hors tension et attendez l'arrêt complet de la meule avant de déposer l'outil.

Opérations de meulage et de ponçage

Tenez TOUJOURS l'outil fermement en posant une main sur la poignée arrière et l'autre main sur la poignée latérale. Mettez l'outil en marche puis posez la meule ou le disque sur la pièce à travailler.

En général, vous devez maintenir le bord de la meule ou du disque sur un angle d'environ 15 degrés par rapport à la surface de la pièce à travailler.

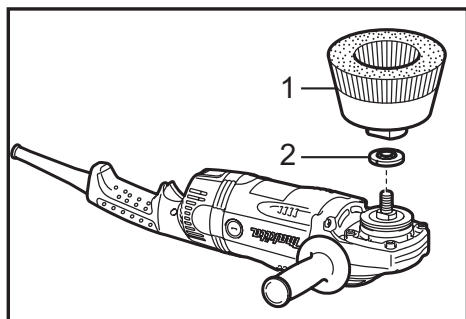
Pendant la période de rodage d'une meule neuve, ne faites pas avancer la meuleuse dans le sens B, sinon elle risque de couper la pièce à travailler. Une fois le bord de la meule rodée, la meule peut être utilisée dans les sens A et B.



Utilisation avec une brosse coupe métallique (accessoire en option)

ATTENTION :

- Vérifiez le fonctionnement de la brosse en faisant fonctionner l'outil sans charge, en vous assurant que personne ne se trouve devant la brosse ou sur sa trajectoire.
- N'utilisez pas la brosse si elle est endommagée ou déséquilibrée. L'utilisation d'une brosse endommagée augmente les risques de blessure au contact des fils cassés.



► 1. Brosse coupe métallique 2. Rondelle en uréthane

Débranchez l'outil et placez-le la tête en bas pour permettre un accès facile à l'arbre. Retirez tous les accessoires de l'arbre. Montez la rondelle uréthane puis enfitez la brosse coupe métallique sur l'arbre, et serrez avec la clé fournie. Lorsque vous utilisez la brosse, évitez d'appliquer une pression telle que les fils seront trop pliés et se casseront plus rapidement que lors d'une utilisation normale.

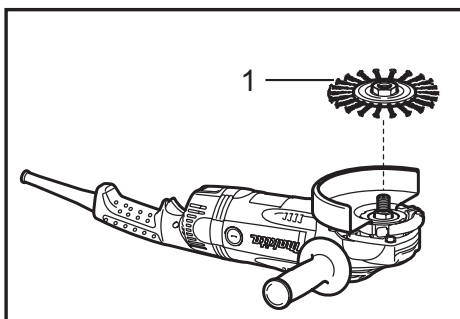
NOTE :

- Lorsque vous utilisez la brosse coupe métallique, montez la rondelle uréthane sur l'arbre. Cela facilitera le retrait de la brosse coupe métallique.

Utilisation avec une brosse métallique circulaire (accessoire en option)

ATTENTION :

- Vérifiez le fonctionnement de la brosse métallique circulaire en faisant fonctionner l'outil sans charge, en vous assurant que personne ne se trouve devant la brosse métallique circulaire ou sur sa trajectoire.
- N'utilisez pas la brosse métallique circulaire si elle est endommagée ou déséquilibrée. L'utilisation d'une brosse métallique circulaire endommagée augmente les risques de blessure au contact des fils cassés.
- Avec les brosses métalliques circulaires, utilisez TOUJOURS le carter, en vous assurant que le diamètre de la brosse n'est pas trop grand pour le carter. La brosse peut se casser en cours d'utilisation et le carter réduit alors les risques de blessure.



► 1. Brosse métallique à touret

Débranchez l'outil et placez-le la tête en bas pour permettre un accès facile à l'arbre. Retirez tous les accessoires de l'arbre. Enfitez la brosse métallique circulaire sur l'arbre et serrez avec les clés.

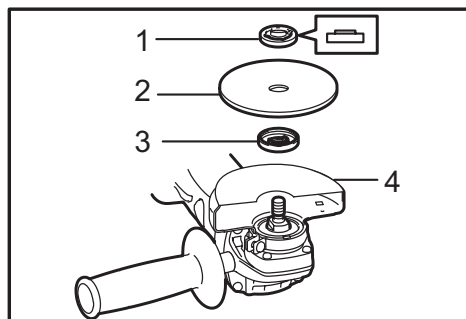
Lorsque vous utilisez la brosse métallique circulaire, évitez d'appliquer une pression telle que les fils seront trop pliés et se casseront plus rapidement que lors d'une utilisation normale.

Fonctionnement avec la meule abrasive à tronçonner/la roue diamantée (accessoire en option)

⚠ MISE EN GARDE :

- Lorsque vous utilisez une meule abrasive à tronçonner/roue diamantée, assurez-vous d'utiliser uniquement un carter de meule spécial conçu pour les meules à tronçonner. (Dans certains pays européens, lorsque vous utilisez une roue diamantée, le carter normal peut être utilisé. Conformez-vous à la réglementation de votre pays.)
- NE JAMAIS utiliser de meule à tronçonner pour le meulage latéral.
- Évitez de coincer la meule et d'appliquer une pression excessive. N'essayez pas d'effectuer des coupes trop profondes. Sous l'effet d'une trop forte pression la meule risque d'être soumise à une surcharge et de se tordre ou plier pendant la coupe, et il y a risque de choc en retour, de bris de la meule ou de surchauffe du moteur.
- Ne commencez pas la coupe directement dans la pièce. Laissez d'abord la meule atteindre sa pleine vitesse puis engagez-la doucement dans la ligne de coupe et faites-la progresser sur la surface de la pièce. La meule risque de se plier, de bondir ou d'effectuer un choc en retour si vous démarrez l'outil directement sur la pièce.
- Ne modifiez jamais l'angle de la meule pendant la coupe. La meule à tronçonner se fissurera ou se cassera si vous lui appliquez une pression latérale (comme pour le meulage), entraînant un risque de blessure grave.
- Une meule diamantée doit être utilisée perpendiculairement au matériau à couper.

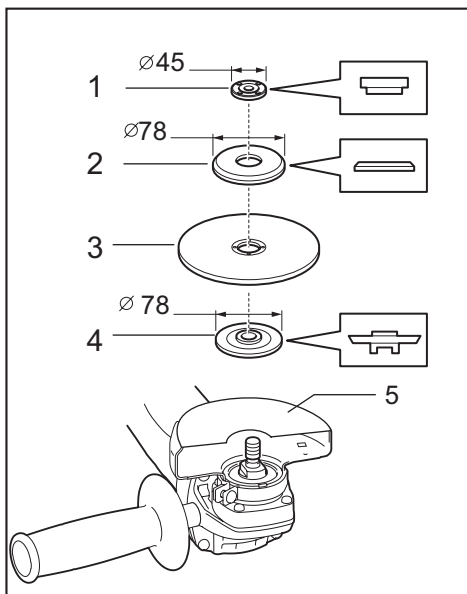
Monter la bague interne sur la broche. Disposer le disque/roue de meulage sur la bague interne et visser l'écrou de verrouillage sur la broche.



- 1. Contre-écrou 2. Meule abrasive à tronçonner / roue diamantée 3. Bague interne 4. Carter de meule pour meule abrasive à tronçonner / roue diamantée

Pour les États-Unis et le Canada

Installation ou retrait de la meule abrasive à tronçonner/roue diamantée (accessoire en option)



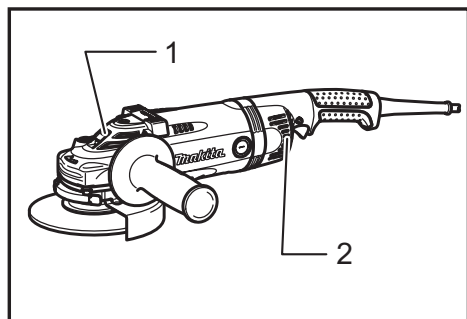
- 1. Contre-écrou 2. Flasque extérieure 78 3. Meule abrasive à tronçonner / roue diamantée 4. Bague interne 78 5. Carter de meule pour meule abrasive à tronçonner / roue diamantée

ENTRETIEN

⚠ ATTENTION :

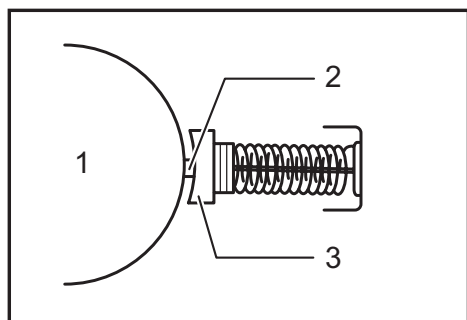
- Assurez-vous toujours que l'outil est hors tension et débranché avant d'y effectuer tout travail d'inspection ou d'entretien.
- N'utilisez jamais d'essence, de benzine, de solvant, d'alcool ou d'autres produits similaires. Une décoloration, une déformation, ou la formation de fissures peuvent en découler.

L'outil et ses orifices d'aération doivent être maintenus propres. Nettoyez régulièrement les orifices d'aération de l'outil, ou chaque fois qu'ils commencent à se boucher.



► 1. Orifice de sortie d'air 2. Orifice d'entrée d'air

Remplacement des charbons

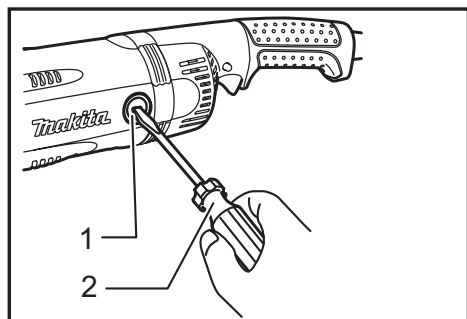


► 1. Commutateur 2. Bout isolateur 3. Charbon

Lorsque le bout isolateur en résine qui se trouve à l'intérieur du charbon entre en contact avec le commutateur, il coupe automatiquement l'alimentation du moteur.

Lorsque cela se produit, les deux charbons doivent être changés. Maintenez les charbons propres et en état de glisser aisément dans les porte-charbon. Les deux charbons doivent être remplacés en même temps. N'utilisez que des charbons identiques.

Utilisez un tournevis pour retirer les bouchons de porte-charbon. Enlevez les charbons usés, insérez-en de nouveaux et revissez solidement les bouchons de porte-charbon.



► 1. Bouchon de porte-charbon 2. Tournevis

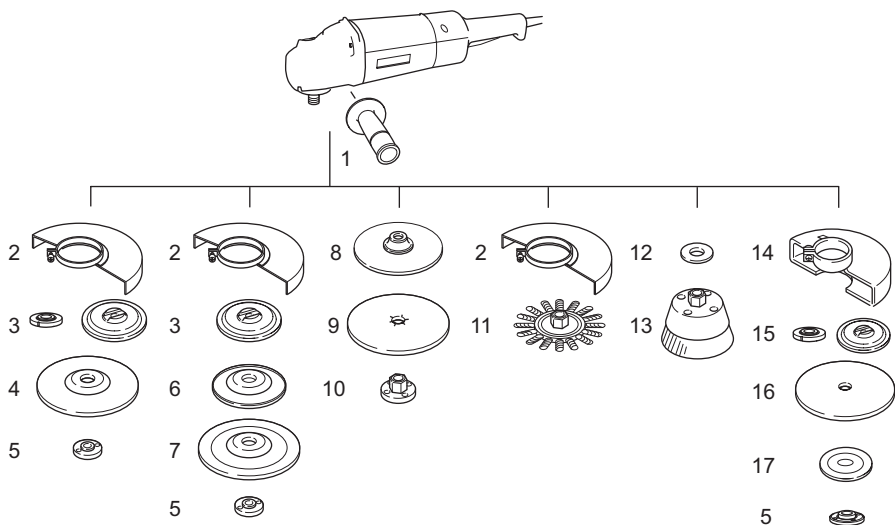
Pour maintenir la SÉCURITÉ et la FIABILITÉ du produit, les réparations, tout autre travail d'entretien ou de réglage doivent être effectués dans un centre de service Makita agréé ou un centre de service de l'usine Makita, exclusivement avec des pièces de rechange Makita.

ACCESSOIRES EN OPTION

⚠ ATTENTION :

- Ces accessoires ou pièces complémentaires sont recommandés pour l'utilisation avec l'outil Makita spécifié dans ce mode d'emploi. L'utilisation de tout autre accessoire ou pièce complémentaire peut comporter un risque de blessure. N'utilisez les accessoires ou pièces qu'aux fins auxquelles ils ont été conçus.
- Votre outil est doté d'un carter adapté à l'ensemble des roues de meulage, disques multiples, meules flexibles et brosses métalliques circulaires recommandés. Si des disques diamantés et/ou des meules à tronçonner sont également utilisables avec l'outil, ils doivent uniquement être utilisés avec le carter en option adapté aux meules à tronçonner. Si vous décidez d'utiliser votre meuleuse Makita avec les accessoires homologués obtenus auprès de votre distributeur ou centre de service après-vente Makita, assurez-vous de vous procurer et d'utiliser l'ensemble des fixations et carters, comme recommandé dans le présent manuel. Sinon, cela risque d'entraîner des blessures, à vous ou à un tiers.

Si vous désirez obtenir plus de détails concernant ces accessoires, veuillez contacter le centre de service après-vente Makita le plus près.



1	Poignée latérale
2	Carter de meule
3	Flasque intérieur 45/Flasque intérieur 89 *1
4	Meule à moyeu déporté / Multi-disque
5	Écrou de verrouillage 5/8 - 45
6	Tampon d'appoint
7	Meule flexible
8	Plateau de caoutchouc 170
9	Disque abrasif
10	Écrou de verrouillage de ponçage 5/8 - 48
11	Brosse métallique à touret
12	Rondelle uréthane 14
13	Brosse coupe métallique
14	Carter de meule (pour meule abrasive à tronçonner/roue diamantée)
15	Flasque intérieur 45/Flasque intérieur 78 (États-Unis et Canada uniquement)*2
16	Meule abrasive à tronçonner / roue diamantée
17	Flasque extérieur 78 (États-Unis et Canada uniquement) *2
—	Clé à contre-écrou 28

*1 Dans les pays autres que les États-Unis et le Canada, le flasque intérieur 45 peut également être utilisé.

*2 Utilisez le flasque intérieur 78 et le flasque extérieur 78 ensemble (États-Unis et Canada uniquement).

NOTE :

- Certains éléments de la liste peuvent être inclus avec l'outil comme accessoires standard. Ils peuvent varier suivant les pays.

GARANTIE LIMITÉE MAKITA

Pour les conditions de garantie en vigueur qui s'appliquent à ce produit, veuillez vous reporter à la feuille de garantie en annexe. Si la feuille de garantie en annexe n'est pas disponible, reportez-vous aux détails de la garantie présentés sur le site Web de votre pays, ci-dessous.

États-Unis d'Amérique: www.makitatools.com

Canada: www.makita.ca

Autres pays: www.makita.com

ESPECIFICACIONES

Modelo	GA7031	GA7031Y	GA9031	GA9031Y
Diámetro de disco	180 mm (7")		230 mm (9")	
Grosor máximo del disco	6,5 mm (1/4")			
Rosca del eje	15,87 mm (5/8")		15,87 mm (5/8")	
Velocidad reportada (n) / Velocidad sin carga (n ₀)	8 500 r/min		6 600 r/min	
Longitud total	504 mm (19-7/8")		504 mm (19-7/8")	
Peso neto	6,3 kg (13,9 lbs)		6,5 kg (14,4 lbs)	

- Debido a nuestro programa continuo de investigación y desarrollo, las especificaciones aquí dadas están sujetas a cambios sin previo aviso.
- Las especificaciones pueden ser diferentes de país a país.
- Peso de acuerdo al procedimiento de EPTA-01/2003

Advertencias de seguridad generales para herramientas eléctricas

⚠ADVERTENCIA: lea todas las advertencias de seguridad e instrucciones. Si no sigue todas las advertencias e instrucciones indicadas a continuación, podrá ocasionar una descarga eléctrica, un incendio y/o lesiones graves.

Guarde todas las advertencias e instrucciones para su futura referencia.

El término "herramienta eléctrica" se refiere, en todas las advertencias que aparecen a continuación, a su herramienta eléctrica de funcionamiento con conexión a la red eléctrica (con cableado eléctrico) o herramienta eléctrica de funcionamiento a batería (inalámbrica).

Seguridad en el área de trabajo

1. **Mantenga el área de trabajo limpia y bien iluminada.** Las áreas oscuras o desordenadas son propensas a accidentes.
2. **No utilice las herramientas eléctricas en atmósferas explosivas, tal como en la presencia de líquidos, gases o polvo inflamables.** Las herramientas eléctricas crean chispas que pueden prender fuego al polvo o los humos.
3. **Mantenga a los niños y curiosos alejados mientras utiliza una herramienta eléctrica.** Las distracciones le pueden hacer perder el control.

Seguridad eléctrica

4. **Las clavijas de conexión de las herramientas eléctricas deberán encajar perfectamente en la toma de corriente. No modifique nunca la clavija de conexión de ninguna forma. No utilice ninguna clavija adaptadora con herramientas eléctricas que tengan conexión a tierra (puesta a tierra).** La utilización de clavijas no modificadas y que encajen perfectamente en la toma de corriente reducirá el riesgo de que se produzca una descarga eléctrica.
5. **Evite tocar con el cuerpo superficies conectadas a tierra o puestas a tierra tales como tubos, radiadores, cocinas y refrigeradores.** Si su cuerpo es puesto a tierra o conectado a tierra existirá un mayor riesgo de que sufra una descarga eléctrica.

6. **No exponga las herramientas eléctricas a la lluvia ni a condiciones húmedas.** La entrada de agua en una herramienta eléctrica aumentará el riesgo de que se produzca una descarga eléctrica.
7. **No jale el cable. Nunca utilice el cable para transportar, jalar o desconectar la herramienta eléctrica. Mantenga el cable alejado del calor, aceite, objetos cortantes o piezas móviles.** Los cables dañados o atrapados aumentan el riesgo de sufrir una descarga eléctrica.
8. **Cuando utilice una herramienta eléctrica en exteriores, utilice un cable de extensión apropiado para uso en exteriores.** La utilización de un cable apropiado para uso en exteriores reducirá el riesgo de que se produzca una descarga eléctrica.
9. **Si no es posible evitar usar una herramienta eléctrica en condiciones húmedas, utilice un alimentador protegido con interruptor de circuito de falla en tierra (ICFT).** El uso de un ICFT reduce el riesgo de descarga eléctrica.

Seguridad personal

10. **Manténgase alerta, preste atención a lo que está haciendo y utilice su sentido común cuando opere una herramienta eléctrica. No utilice la herramienta eléctrica cuando esté cansado o bajo la influencia de drogas, alcohol o medicamentos.** Un momento de distracción mientras opera la máquina puede dar como resultado heridas personales graves.
11. **Use equipo de protección personal. Póngase siempre protección para los ojos.** El equipo protector tal como máscara contra el polvo, zapatos de seguridad antiderrapantes, casco rígido y protección para oídos utilizado en las condiciones apropiadas reducirá las heridas personales.
12. **Impida el encendido accidental. Asegúrese de que el interruptor esté en la posición de apagado antes de conectar a la alimentación eléctrica y/o de colocar el cartucho de la batería, así como al levantar o cargar la herramienta.** Cargar las herramientas eléctricas con su dedo en el interruptor o conectarlas con el interruptor encendido hace que los accidentes sean propensos.

13. **Retire cualquier llave de ajuste o llave de apriete antes de encender la herramienta.** Una llave de ajuste o llave de apriete que haya sido dejada puesta en una parte giratoria de la herramienta eléctrica podrá resultar en heridas personales.
14. **No utilice la herramienta donde no alcance. Mantenga los pies sobre suelo firme y el equilibrio en todo momento.** Esto permite un mejor control de la herramienta eléctrica en situaciones inesperadas.
15. **Use vestimenta apropiada. No use ropas sueltas ni joyas. Mantenga el cabello, la ropa y los guantes alejados de las partes móviles, ya que pueden ser atrapadas por estas partes en movimiento.**
16. **Si dispone de dispositivos para la conexión de equipos de extracción y recolección de polvo, asegúrese de conectarlos y utilizarlos debidamente.** La utilización de estos dispositivos reduce los riesgos relacionados con el polvo.

Mantenimiento y uso de la herramienta eléctrica

17. **No fuerce la herramienta eléctrica. Utilice la herramienta eléctrica correcta para su aplicación.** La herramienta eléctrica adecuada hará un trabajo mejor a la velocidad para la que ha sido fabricada.
18. **No utilice la herramienta eléctrica si el interruptor no la enciende y apaga.** Cualquier herramienta eléctrica que no pueda ser controlada con el interruptor es peligrosa y debe ser reemplazada.
19. **Desconecte la clavija de la fuente de energía y/o la batería de la herramienta eléctrica antes de realizar ajustes, cambiar accesorios o guardar las herramientas eléctricas.** Dichas medidas de seguridad preventivas reducen el riesgo de que la herramienta se inicie accidentalmente.
20. **Guarde la herramienta eléctrica que no use fuera del alcance de los niños y no permita que las personas que no están familiarizadas con ella o con las instrucciones la operen.** Las herramientas eléctricas son peligrosas en manos de personas que no saben operarlas.

21. **Realice el mantenimiento a las herramientas eléctricas. Compruebe que no haya partes móviles desalineadas o estancadas, piezas rotas y cualquier otra condición que pueda afectar al funcionamiento de la herramienta eléctrica. Si la herramienta eléctrica está dañada, haga que se la reparen antes de utilizarla.** Muchos accidentes son ocasionados por herramientas eléctricas con un mal mantenimiento.
22. **Mantenga las herramientas de corte limpias y filosas.** Si recibe un mantenimiento adecuado y tiene los bordes afilados, es probable que la herramienta se atasque menos y sea más fácil controlarla.
23. **Utilice la herramienta eléctrica, así como accesorios, piezas, brocas, etc. de acuerdo con estas instrucciones y de la manera establecida para cada tipo de unidad en particular; tenga en cuenta las condiciones laborales y el trabajo a realizar.** Si utiliza la herramienta eléctrica para realizar operaciones distintas de las indicadas, podrá presentarse una situación peligrosa.

Servicio de mantenimiento

24. **Haga que una persona calificada repare la herramienta utilizando sólo piezas de repuesto idénticas.** Esto asegura que se mantenga la seguridad de la herramienta eléctrica.
25. **Siga las instrucciones para la lubricación y cambio de accesorios.**
26. **Mantenga las agarraderas secas, limpias y sin aceite o grasa.**

UTILICE CABLES DE EXTENSIÓN APROPIADOS. Asegúrese de que su cable de extensión esté en buenas condiciones. Cuando utilice un cable de extensión, asegúrese de utilizar uno del calibre suficiente para conducir la corriente que demande el producto. Un cable de calibre inferior ocasionará una caída en la tensión de línea y a su vez en una pérdida de potencia y sobrecalentamiento. La Tabla 1 muestra la medida correcta a utilizar dependiendo de la longitud del cable y el amperaje nominal indicado en la placa de características. Si no está seguro, utilice el siguiente calibre más alto. Cuanto menor sea el número de calibre, más corriente podrá conducir el cable.

Tabla 1. Calibre mínimo para el cable

Amperaje nominal		Volts	Longitud total del cable en metros			
		120V~	7,6 m (25 ft)	15,2 m (50 ft)	30,4 m (100 ft)	45,7 m (150 ft)
		220V~ - 240V~	15,2 m (50 ft)	30,4 m (100 ft)	60,8 m (200 ft)	91,2 m (300 ft)
Más de	No más de	Calibre del cable (AWG)				
0 A	6 A	/	18	16	16	14
6 A	10 A		18	16	14	12
10 A	12 A		16	16	14	12
12 A	16 A		14	12	No se recomienda	

ADVERTENCIAS DE SEGURIDAD PARA LA ESMERILADORA

Advertencias de seguridad comunes para el esmerilado, lijado, operaciones con cepillo de alambre y de corte abrasivo:

- Esta herramienta eléctrica está destinada para funcionar como esmeril, lijadora, cepillo de alambre o herramienta de corte. Lea todas las advertencias de seguridad, instrucciones, ilustraciones y especificaciones que se incluyen con esta herramienta eléctrica.** Si no sigue todas las instrucciones indicadas a continuación, podrá ocasionar una descarga eléctrica, un incendio y/o graves lesiones.
- No se recomienda hacer ciertas operaciones tales como operaciones de pulido con esta herramienta eléctrica.** Puede que las operaciones para las cuales esta herramienta eléctrica no está diseñada generen un peligro resultando en lesiones personales.
- No use accesorios que no hayan sido específicamente diseñados o recomendados por el fabricante de esta herramienta.** Sólo por que un aditamento pueda ensamblarse en su herramienta eléctrica no garantiza una operación segura.
- La velocidad que se indica con el accesorio debe ser por lo menos la misma a la velocidad máxima marcada en la herramienta eléctrica.** Los accesorios que se ejecuten a mayor velocidad que la velocidad que indiquen pueden desintegrarse.
- El diámetro externo y el grosor de su accesorio debe estar dentro de la capacidad indicada de su herramienta eléctrica.** Los accesorios de tamaño que no corresponda para usarse con la herramienta no podrán ser controlados o protegidos adecuadamente.
- La colocación ensartada de los accesorios debe corresponder al eje de ensartado del esmeril. Para los accesorios colocados por la brida, el orificio del eje del accesorio debe encajar con el diámetro de ubicación de la brida.** Los accesorios que no encajen con el equipo de montura de la herramienta eléctrica se desequilibrarán, vibrarán excesivamente y puede que generen pérdida del control.
- No use accesorios dañados. Antes de cada utilización, inspeccione los diversos accesorios, por ejemplo, revisar si hay partículas o grietas en los discos abrasivos, así como desgaste en las almohadillas de soporte, o alambres sueltos o rotos en el cepillo de alambre. Si llega a caerse la herramienta eléctrica o el accesorio, revise si ocurrieron daños o use un accesorio que no tenga daños. Tras haber inspeccionado y puesto el accesorio, colóquese usted, así como a las personas alrededor, alejados del plano del accesorio giratorio y ejecute la herramienta a una velocidad máxima sin carga por un minuto.** Los accesorios dañados por lo general se desintegrarán durante este periodo de prueba.
- Use equipo de protección personal. Dependiendo de la aplicación, utilice careta o gafas protectoras. Según sea apropiado, utilice mascarilla contra el polvo, protectores para los oídos, guantes y mandil de trabajo capaz de detener fragmentos abrasivos que se generen con la pieza de trabajo.** La protección ocular debe ser capaz de detener la partículas que se proyecten a raíz de varias operaciones. La mascarilla contra el polvo o el respirador deben ser capaces de filtrar las partículas generadas durante la operación. La exposición prolongada al ruido de alta intensidad puede ocasionar pérdida auditiva.
- Mantenga a las personas alrededor a una distancia segura y apartada del área de trabajo. Cualquiera que ingrese al área de trabajo debe usar equipo protector.** Los fragmentos de la pieza de trabajo o de algún accesorio roto podrán salir proyectados a un área mayor a la inmediata y causar lesiones.
- Cuando realice una operación donde el accesorio de corte pueda entrar en contacto con cableado oculto o con su propio cable, sujete la herramienta eléctrica sólo por las superficies de aislamiento aisladas.** Si el accesorio giratorio hace contacto con un cable con corriente, las piezas metálicas expuestas de la herramienta eléctrica se electrificarán también y el operador puede recibir una descarga.
- Coloque el cable de forma que esté despejado del accesorio giratorio.** Si llegara a perder el control, puede que el cable se corte o enrede y que su mano o brazo se jale hacia el accesorio giratorio.
- Nunca coloque la herramienta eléctrica en el suelo hasta que el accesorio se haya detenido por completo.** Puede que el accesorio giratorio haga tracción con la superficie y que jale la herramienta eléctrica quitándole el control.
- No ejecute la herramienta eléctrica cuando la esté cargando a su costado.** El contacto accidental con un accesorio giratorio pudiera engancharse en su ropa jalando la herramienta hacia su cuerpo.
- Limpie periódicamente las aberturas de ventilación de la herramienta eléctrica.** El ventilador del motor atraerá polvo hacia adentro de la carcasa y puede que la acumulación excesiva de polvo metálico ocasione daños eléctricos.
- No opere la herramienta motorizada cerca de materiales inflamables.** Las chispas podrían inflamar estos materiales.
- No utilice accesorios que requieran de líquidos enfriadores.** El uso de agua o de cualquier otro líquido enfriador puede que resulte en descargas eléctricas o electrocución.

Retrosesos bruscos y advertencias relacionadas

El retroceso brusco es una reacción repentina al enganchado o trabado de un disco giratorio, disco de soporte o cualquier otro accesorio. El trabado genera un alto súbito del accesorio giratorio lo cual a su vez genera que la herramienta eléctrica no controlada se fuerce en la dirección opuesta a la rotación del accesorio en el punto de atascamiento. Por ejemplo, si un disco abrasivo se traba o atasca debido a la pieza de trabajo, el borde del disco que está ingresando hacia el punto de atascamiento puede introducirse hacia la superficie del material ocasionando que el disco se salga bruscamente. Puede que el disco salte hacia el operador o hacia dirección opuesta de él, dependiendo de la dirección del movimiento del disco al momento del atascamiento. Puede que los discos abrasivos también se rompan bajo estas condiciones.

El retroceso es el resultado de un mal uso de la herramienta eléctrica o de condiciones o procedimientos de uso incorrectos y se puede evitar tomando las precauciones que se indican a continuación.

- a) **Mantenga una sujeción firme de la herramienta eléctrica y coloque su cuerpo y brazo de tal forma que pueda contener la fuerza de un retroceso brusco. De estar disponible, utilice siempre el mango auxiliar para un control máximo durante un retroceso brusco o reacción de torsión durante el inicio de la herramienta.** El operador puede controlar las reacciones de torsión o fuerzas del retroceso brusco siempre y cuando se lleven a cabo las precauciones adecuadas.
- b) **Nunca coloque su mano detrás del accesorio giratorio.** Puede que el accesorio genere un retroceso brusco sobre su mano.
- c) **No coloque su cuerpo en el área donde la herramienta eléctrica podría desplazarse si un retroceso brusco llegara a ocurrir.** El retroceso brusco proyectará la herramienta en dirección opuesta al movimiento del disco en el punto de trabado.
- d) **Tenga especial cuidado al trabajar con esquinas, bordes afilados, etc. Evite el tambaleo y trabado del accesorio.** Las esquinas, bordes afilados o los rebotes tienen la tendencia de trabar el accesorio giratorio y causar una pérdida del control o un retroceso brusco.
- e) **No monte una cadena de sierra para labrado en madera, ni tampoco un disco dentado para sierra.** Dichos discos generan retrocesos bruscos y pérdida del control con frecuencia.

Advertencias de seguridad específicas para el esmerilado y operaciones de corte abrasivas:

- a) **Use discos sólo de los tipos recomendados para su herramienta eléctrica y el protector específico diseñado para el disco seleccionado.** Los discos para los cuales la herramienta eléctrica no fue diseñada no pueden quedar protegidos de forma adecuada y por lo tanto son inseguros.
- b) **La superficie de esmerilado de los discos de centro hundido deben colocarse debajo del plano del reborde protector.** Un disco colocado incorrectamente que se proyecte a través del plano del reborde protector no quedará adecuadamente protegido.
- c) **El protector debe quedar fijamente colocado en la herramienta eléctrica a una posición de seguridad máxima, de tal forma que quede en lo posible con la menor área del disco expuesta al operador.** El protector ayuda a proteger al operador de fragmentos rotos y de contacto accidental con el disco, así como de chispas que podrían prender fuego con la vestimenta.
- d) **Los discos deben sólo usarse para las aplicaciones recomendadas. Por ejemplo: no haga operaciones de esmerilado con la parte lateral del disco de corte.** Los discos abrasivos de corte están diseñados para el esmerilado periférico; puede que las fuerzas aplicadas lateralmente a estos discos ocasionen su rompimiento en pedazos.

- e) **Use siempre bridas para discos que no estén dañadas, y del tamaño y forma adecuados para el disco seleccionado.** Las bridas apropiadas para el disco en cuestión son un soporte que reduce la posibilidad de rotura del disco. Las bridas para los discos de corte puede que sean diferentes a las bridas para el disco esmerilador.
- f) **Evite el uso de discos mayores que estén desgastados de otras herramientas eléctricas.** Los discos de mayor tamaño diseñados para otras herramientas no son adecuados para una herramienta de discos más veloces de menor tamaño, y puede que se revienten.

Advertencias de seguridad específicas para operaciones de corte abrasivas:

- a) **Evite trabar el disco de corte al aplicar presión excesiva. No intente hacer un corte de profundidad excesiva.** Aplicar presión excesiva al disco incrementa la carga y susceptibilidad a que se tuerza o atasque durante el corte, y de que se genere un retroceso brusco o rotura del disco.
- b) **Evite colocar su cuerpo en línea directa o detrás del disco giratorio.** Cuando el disco, en su punto de operación, se esté alejando de su cuerpo, es posible que un retroceso brusco proyecte el disco en rotación y la herramienta eléctrica directamente hacia usted.
- c) **Cuando el disco se atasque o interrumpa el corte por cualquier razón, apague la herramienta eléctrica y sosténgala sin mover hasta que el disco se detenga por completo. Nunca intente retirar el disco del área de corte mientras esté en movimiento o podría generarse un retroceso brusco.** Investigue y tome las acciones correctivas necesarias para eliminar la causa de estancamiento del disco.
- d) **Evite reiniciar la operación de corte en la pieza de trabajo. Permita que el disco adquiera velocidad completa y luego con cuidado introduzca el disco en el corte.** Puede que el disco se atasque, se salga del camino o que genere un retroceso brusco si se reinicia estando insertado en la pieza de trabajo.
- e) **Los tableros de soporte o las piezas de trabajo de tamaño muy grande minimizan el riesgo de que el disco se atasque o tenga un retroceso brusco.** Las piezas de trabajo grandes tienden a pandearse debido a su propio peso. Deben colocarse soportes bajo la pieza de trabajo a ambos lados del disco, cerca de la línea de corte y del borde de la misma.
- f) **Tenga especial cuidado cuando realice un "corte de cavidad" en paredes u otras áreas ciegas.** Puede que el disco protuberante corte la tubería de gas o agua, así como el cableado eléctrico u otros objetos que ocasionarían un retroceso brusco.

Advertencias de seguridad específicas para las operaciones de lijado:

- a) **Evite utilizar papel de lijado para disco de un tamaño excesivamente mayor. Siga las recomendaciones de los fabricantes al seleccionar el papel de lijado.** El papel de lijado de tamaño mayor que se extienda más allá del respaldo de lijado representa un riesgo de desgarramiento que podría causar trabado, rotura o retroceso brusco del disco.

Advertencias de seguridad específicas para las operaciones con cepillo de alambre:

- a) Tenga en cuenta que incluso durante la operación normal se expulsan cerdas de alambre del cepillo. Evite la presión excesiva en los alambres mediante cargas excesivas al cepillo. Las cerdas de alambre pueden penetrar fácilmente a través de la ropa y/o la piel.
- b) Si se recomienda el uso de protector para las operaciones con cepillo de alambre, evite cualquier interferencia del disco o cepillo de alambre con el protector. Puede que el disco o cepillo de alambre se expanda en diámetro debido a la carga de trabajo y a la fuerza centrífuga.

Advertencias de seguridad adicionales:

17. Cuando utilice discos de amolar de centro hundido, asegúrese de utilizar solamente discos reforzados con fibra de vidrio.
18. **NUNCA USE** ruedas de tipo copa de piedra con esta esmeriladora. Esta esmeriladora no está diseñada para estos tipos de ruedas o muelas y el uso de dicho producto puede que resulte en graves lesiones a la persona.
19. Tenga cuidado de no dañar el eje, las bridas (especialmente la superficie de instalación) o la contratuerca. Si se dañan estas partes se podría romper el disco.
20. Asegúrese de que el disco no esté haciendo contacto con la pieza de trabajo antes de activar el interruptor.
21. Antes de utilizar la herramienta en una pieza de trabajo definitiva, déjala funcionar durante un rato. Observe para ver si hay vibración o bamboleo que pueda indicar una incorrecta instalación o un disco mal equilibrado.
22. Utilice la superficie especificada del disco para realizar el esmerilado.
23. No deje la herramienta en marcha. Tenga en marcha la herramienta solamente cuando la tenga en la mano.
24. No toque la pieza de trabajo inmediatamente después de operar la herramienta, puesto que puede estar extremadamente caliente y quemarle la piel.
25. Observe las instrucciones del fabricante sobre el montaje y uso correcto de los discos. Manipule y almacene cuidadosamente los discos.
26. No utilice reductores o adaptadores para adaptar discos abrasivos con orificios grandes.
27. Utilice solamente las bridas especificadas para esta herramienta.
28. En herramientas diseñadas para instalación con orificio roscado del disco, asegúrese que la rosca del disco es lo suficientemente larga para aceptar la longitud del eje.
29. Verifique que la pieza de trabajo esté correctamente sostenida.
30. Tenga cuidado, puesto que el disco continúa girando después de apagada la herramienta.
31. Si el lugar de trabajo es extremadamente caliente y húmedo, o muy contaminado con polvo conductor, utilice un interruptor de corto circuito de (30 mA) para garantizar la seguridad del operario.




32. No utilice la herramienta con materiales que contengan asbesto.
33. Cuando se utilice disco de corte, siempre trabaje con la protección recolectora de polvo del disco, requerida por el reglamento doméstico.
34. Los discos de corte no se deben someter a ninguna presión lateral.
35. Evite el uso de guantes de trabajo hechos de tela durante la operación. Las fibras de los guantes hechos de tela podrían introducirse en la herramienta causando descomposturas en la herramienta.

GUARDE ESTAS INSTRUCCIONES.

⚠ ADVERTENCIA: NO DEJE que la comodidad o familiaridad con el producto (a base de utilizarlo repetidamente) sustituya la estricta observancia de las normas de seguridad para dicho producto. **El MAL USO** o el no seguir las normas de seguridad establecidas en este manual de instrucciones puede ocasionar graves lesiones personales.

Símbolos

A continuación se muestran los símbolos utilizados para la herramienta.

V	volts o voltios
A	ampere o ampérío
Hz	hertz o hercios
	corriente alterna
	corriente alterna o directa
n	velocidad indicada
n ₀	velocidad en vacío o sin carga
	Construcción clase II
... /min r/min	revoluciones o alternaciones por minuto, frecuencia de rotación

DESCRIPCIÓN DEL FUNCIONAMIENTO

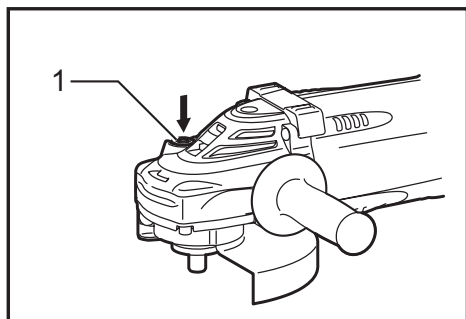
⚠️ PRECAUCIÓN:

- Asegúrese siempre de que la herramienta esté apagada y desconectada antes de ajustar o comprobar cualquier función en la misma.

Bloqueo del eje

⚠️ PRECAUCIÓN:

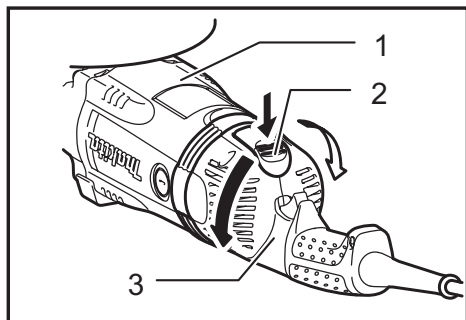
- No accione nunca el bloqueo del eje cuando éste se esté moviendo. Podría dañarse la herramienta.



- 1. Bloqueo del eje

Presione el bloqueo del eje para impedir que éste gire cuando vaya a instalar o desmontar accesorios.

Posiciones de montaje de la empuñadura versátil



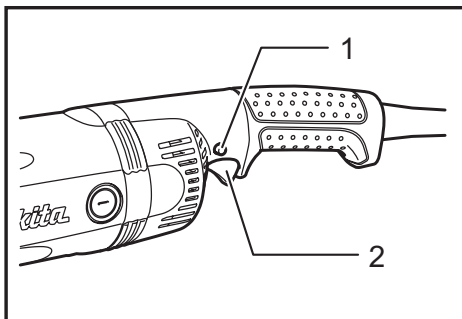
- 1. Alojamiento del motor 2. Botón de bloqueo 3. Mango

La empuñadura del interruptor puede girarse 90° ya sea a la izquierda o a la derecha para ajustarse a las necesidades de su trabajo. Primero, desconecte la herramienta. Presione el botón de bloqueo y gire la empuñadura del interruptor hacia la izquierda o derecha en su totalidad. La empuñadura del interruptor quedará fija en dicha posición.

⚠️ PRECAUCIÓN:

- Asegúrese siempre que la empuñadura del interruptor quede fija en la posición deseada antes de la operación.

Accionamiento del interruptor



- 1. Botón de bloqueo / Botón de desbloqueo
2. Gatillo interruptor

Para herramienta con botón de desbloqueo

⚠️ PRECAUCIÓN:

- Antes de conectar la herramienta, compruebe siempre que el gatillo interruptor se acciona debidamente y que vuelve a la posición "OFF" (apagado) cuando lo suelta.
- **No jale el gatillo interruptor con mucha fuerza sin presionar el botón de desbloqueo.** Esto podría ocasionar la rotura del interruptor.

Para evitar que el gatillo interruptor sea jalado accidentalmente, se proporciona un botón de bloqueo. Para iniciar la herramienta, presione el botón de desbloqueo y luego jale el gatillo interruptor. Suelte el gatillo interruptor para detener la herramienta.

Para herramienta con botón de bloqueo

⚠️ PRECAUCIÓN:

- Antes de conectar la herramienta, compruebe siempre que el gatillo interruptor se acciona debidamente y que vuelve a la posición "OFF" (apagado) cuando lo suelta.
- El interruptor puede ser bloqueado en la posición "ON" (encendido) para mayor comodidad del operario durante una utilización prolongada. Tenga precaución cuando bloquee la herramienta en la posición "ON" (encendido) y sujete la herramienta firmemente.

Para iniciar la herramienta, sólo tiene que jalar el gatillo interruptor. Suelte el gatillo interruptor para detener la herramienta. Para una operación continua, jale el gatillo interruptor, luego presione el botón de bloqueo y después suelte el gatillo interruptor. Para desbloquear la herramienta, jale el gatillo interruptor por completo y luego suéltelo.

ENSAMBLE

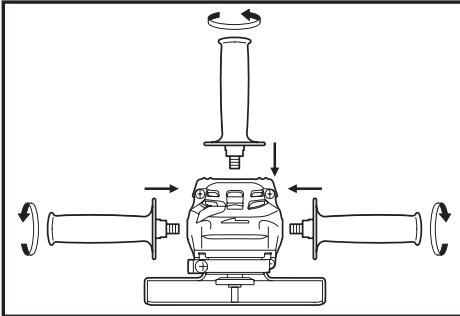
⚠️ PRECAUCIÓN:

- Asegúrese siempre de que la herramienta esté apagada y desconectada antes de realizar cualquier trabajo en la misma.

Instalación de la empuñadura lateral (mango)

⚠️ PRECAUCIÓN:

- Antes de realizar una operación, asegúrese siempre de que la empuñadura lateral esté instalada firmemente.



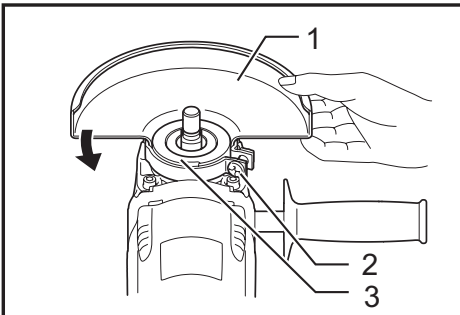
Rosque la empuñadura lateral firmemente en la posición de la herramienta mostrada en la figura.

Instalación y extracción del protector de disco (para disco de centro hundido, multidisco y disco de cepillo de alambre)

⚠️ PRECAUCIÓN:

- Cuando se utilice un disco de amolar de centro hundido/multidisco, disco flexible, disco de cepillo de alambres, o disco de corte, el protector de disco deberá estar instalado en la herramienta de tal forma que el lado cerrado del protector siempre quede orientado hacia el operario.

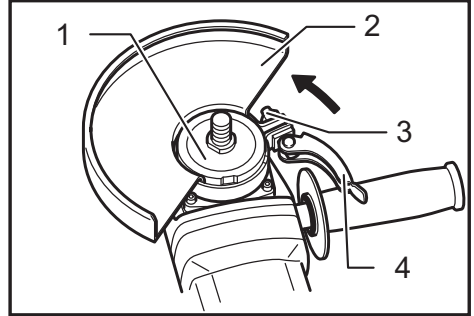
Para herramienta con protector de disco de tipo tornillo de bloqueo



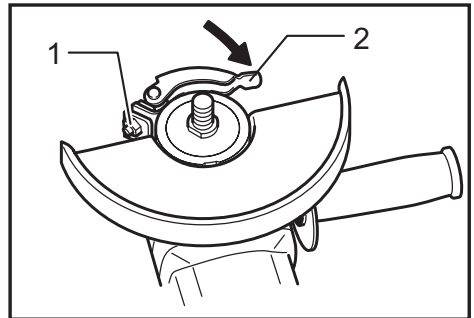
- 1. Protector (guarda) de disco 2. Tornillo 3. Caja de cojinetes

Coloque el protector de disco con la protuberancia en la banda de éste protector alineada con la muesca de la caja de rodamientos. Luego gire el protector de disco unos 180 grados en dirección contraria a las agujas del reloj. Asegúrese de ajustar bien el tornillo. Para desmontar el protector de disco, siga el procedimiento de instalación a la inversa.

Para herramienta con protector de disco de tipo palanca de abrazadera



- 1. Caja de cojinetes 2. Protector (guarda) de disco 3. Tuerca 4. Palanca



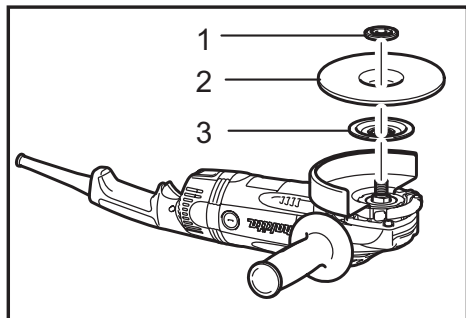
- 1. Tuerca 2. Palanca

Aflove la palanca en el protector de disco. Coloque el protector de disco con la protuberancia en la banda de este protector alineada con la ranura de la caja de cojinetes. Luego gire el protector de disco a la posición que se muestra en la figura. Apriete la palanca para fijar el protector de disco. Si la palanca está muy apretada o muy floja para fijar el protector de disco, afloje o apriete la tuerca con una llave inglesa para ajustar el nivel de apretamiento de la banda del protector de disco. Para desmontar el protector de disco, siga el procedimiento de instalación a la inversa.

Instalación o desmontaje de un disco de amolar de centro hundido/multidisco (accesorio)

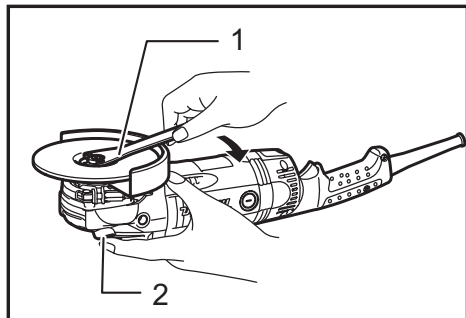
⚠ ADVERTENCIA:

- Utilice siempre el protector de disco suministrado cuando instale en la herramienta un disco de esmerilar de centro hundido/multidisco. El disco puede desintegrarse durante la utilización y el protector ayuda a reducir las posibilidades de que se produzcan heridas personales.



- 1. Contratuerca 2. Disco para esmerilar de centro hundido / multidisco 3. Brida interior

Monte la brida interior en el eje. Encaje el disco en la brida interior y rosque la tuerca con su saliente orientado hacia abajo (orientado hacia el disco). Para apretar la tuerca, presione el bloqueo del eje firmemente para que el eje no pueda girar, después apriete firmemente hacia la derecha utilizando la llave de tuerca.



- 1. Llave de tuercas 2. Bloqueo del eje

Para desmontar el disco, siga el procedimiento de instalación a la inversa.

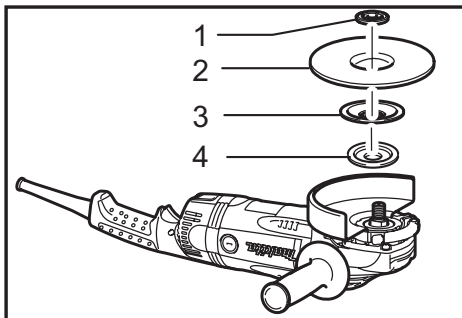
NOTA:

- En países que no sean Estados Unidos y Canadá, se podrá usar una brida interior 45 también.

Instalación o desmontaje de un disco flexible (accesorio opcional)

⚠ ADVERTENCIA:

- Utilice siempre el protector de disco suministrado cuando esté instalado en la herramienta un disco flexible. El disco puede desintegrarse durante la utilización y el protector ayuda a reducir las posibilidades de que se produzcan heridas personales.



- 1. Contratuerca 2. Disco flexible 3. Plato de goma 4. Brida interior

Siga las instrucciones para disco de amolar de centro hundido/multidisco pero también utilice un plato de goma sobre el disco. Vea el orden de montaje en la página de accesorios de este manual.

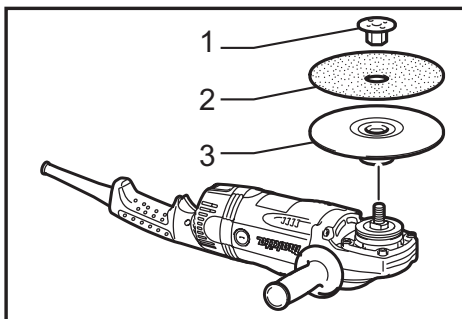
NOTA:

- En países que no sean Estados Unidos y Canadá, se podrá usar una brida interior 45 también.

Instalación o desmontaje de un disco abrasivo (accesorio opcional)

NOTA:

- Utilice accesorios para esmeriladora especificados en este manual. Estos deberán ser adquiridos aparte.



- 1. Contratuerca 2. Disco abrasivo 3. Plato de goma

Monte el plato de goma en el eje. Inserte el disco sobre el plato de goma y atornille la contratuerca en el eje. Para apretar la contratuerca, presione el bloqueo del eje firmemente para que el eje no pueda girar, después apriete firmemente hacia la derecha utilizando la llave de contratuerca.

Para desmontar el disco, siga el procedimiento de instalación a la inversa.

OPERACIÓN

⚠️ ADVERTENCIA:

- No deberá ser nunca necesario forzar la herramienta. El peso de la herramienta aplica la presión adecuada. El forzamiento y la presión excesivos podrán ocasionar una peligrosa rotura del disco.
- Reemplace el disco SIEMPRE si deja caer la herramienta durante el esmerilado.
- No lance ni golpee NUNCA el disco de esmerilar u otros discos contra la pieza de trabajo.
- Evite los rebotes y enganches del disco, especialmente cuando trabaje esquinas, bordes agudos, etc. Esto podría ocasionar la pérdida del control y retrocesos bruscos.
- No utilice NUNCA esta herramienta con discos para cortar madera ni otros discos de sierra. Los discos de ese tipo cuando se utilizan en una esmeriladora con frecuencia ocasionan retrocesos bruscos y pérdida del control que acarrearán heridas personales.

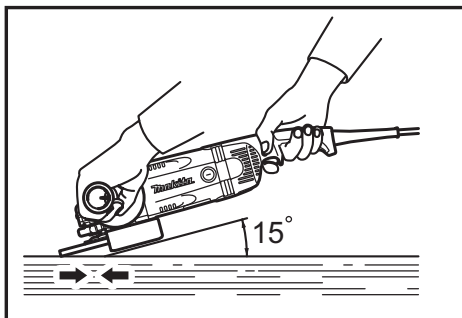
⚠️ PRECAUCIÓN:

- No encienda nunca la herramienta cuando ésta esté en contacto con la pieza de trabajo, podría ocasionar heridas al operario.
- Póngase siempre gafas de seguridad o máscara facial durante la operación.
- Después de la operación, apague siempre la herramienta y espere hasta que el disco se haya parado completamente antes de dejar la herramienta.

Operación de esmerilado y lijado

Sujete SIEMPRE la herramienta firmemente con una mano en la empuñadura trasera y la otra en la empuñadura lateral. Encienda la herramienta y después aplique el disco a la pieza de trabajo.

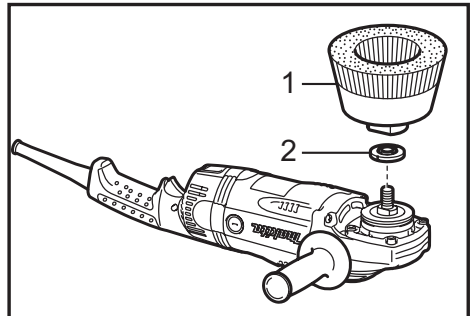
En general, mantenga el borde del disco a un ángulo de unos 15 grados con la superficie de la pieza de trabajo. Durante el periodo de uso inicial de un disco nuevo, no trabaje con la esmeriladora en la dirección B porque tenderá a cortar la pieza de trabajo. Una vez que el borde del disco se haya redondeado con el uso, se podrá trabajar con el disco en ambas direcciones A y B.



Operación con cepillo de copa (accesorio opcional)

⚠️ PRECAUCIÓN:

- Compruebe la operación del cepillo haciendo girar la herramienta sin carga, asegurándose de que no haya nadie enfrente ni en línea con el cepillo.
- No utilice un cepillo de copa que esté dañado o desequilibrado. La utilización de un cepillo dañado podrá aumentar la posibilidad de heridas causadas por el contacto con alambres rotos de la misma.



► 1. Cepillo de copa 2. Arandela de uretano

Desconecte la herramienta y póngala al revés para permitir un acceso fácil al eje. Quite cualquier accesorio que haya en el eje. Monte la arandela de uretano y después rosque el cepil de alambres en el eje y apriételo con la llave suministrada. Cuando utilice el cepillo, evite aplicar presión excesiva que haga doblar demasiado los alambres, porque se romperán prematuramente.

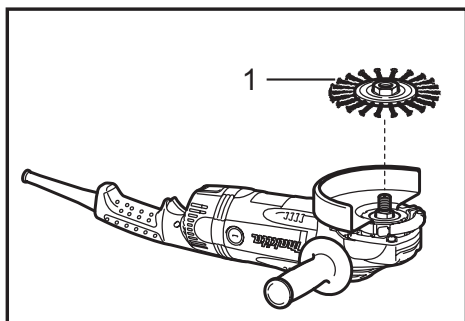
NOTA:

- Cuando utilice un cepillo de copa, monte la arandela de uretano en el eje. Le resultará más fácil desmontar el cepillo de copa.

Operación con una carda o disco de cepillo de alambres (accesorio opcional)

⚠️ PRECAUCIÓN:

- Compruebe la operación del disco de cepillo de alambres haciendo girar la herramienta sin carga, asegurándose de que no haya nadie enfrente ni en línea con el disco de cepillo de alambres.
- No utilice un disco de cepillo de alambres que esté dañado o desequilibrado. La utilización de un disco de cepillo de alambres dañado podrá aumentar la posibilidad de heridas causadas por el contacto con alambres rotos.
- Utilice SIEMPRE el protector de disco con discos de cepillo de alambres, asegurándose de que el disco encaje dentro del protector. El disco puede desintegrarse durante la utilización y el protector ayuda a reducir las posibilidades de que se produzcan heridas personales.



► 1. Carda o disco de cepillo de alambres

Desconecte la herramienta y póngala al revés para permitir un acceso fácil al eje. Quite cualquier accesorio que haya en el eje. Rosque el disco de cepillo de alambres en el eje y apriételo con las llaves.

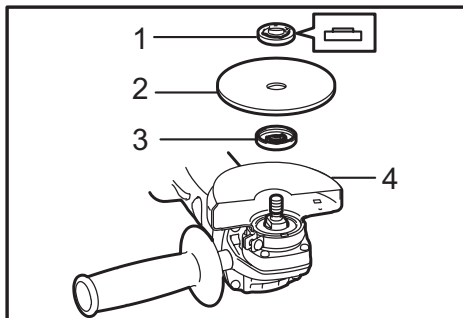
Cuando utilice un disco de cepillo de alambres, evite aplicar presión excesiva que haga doblar demasiado los alambres, ocasionando una rotura prematura.

Operación con disco de corte abrasivo/disco de diamante (accesorio opcional)

⚠ ADVERTENCIA:

- Al usar un disco de corte abrasivo / disco de diamante, asegúrese de usar sólo el protector de disco diseñado especialmente para usarse con discos cortadores. (en algunos países europeos, al usar un disco de diamante, podrá usarse el protector habitual. Siga las regulaciones correspondientes a su país.)
- No utilice NUNCA un disco de corte para esmerilar lateralmente.
- No "atasque" el disco ni ejerza presión excesiva. No intente cortar con una profundidad de corte excesiva. Si fatiga en exceso el disco aumentará la carga y la susceptibilidad de retorcerse o doblarse el disco en el corte y existirá la posibilidad de producirse un retroceso brusco, rotura del disco y recalentamiento del motor.
- No comience la operación de corte en la pieza de trabajo. Deje que el disco alcance plena velocidad y entre con cuidado en el corte moviendo la herramienta sobre la superficie de la pieza de trabajo. Si pone en marcha la herramienta eléctrica en la pieza de trabajo, el disco podrá estancarse, saltar o retroceder bruscamente.
- Durante las operaciones de corte, no cambie nunca el ángulo del disco. La aplicación de presión lateral en el disco de corte (al igual que en el esmerilado) hará que el disco se agriete y se rompa, ocasionando graves heridas personales.
- Un disco de diamante deberá ser utilizado perpendicularmente al material que se esté cortando.

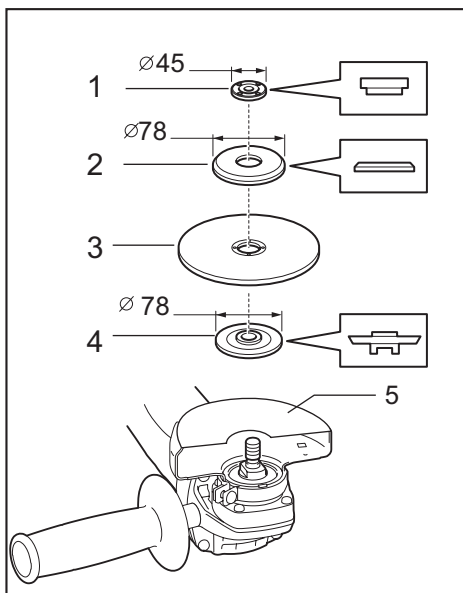
Monte la brida interior en el eje. Encaje el disco encima de la brida interior y rosque la contratuerca en el eje.



► 1. Contratuerca 2. Disco de corte abrasivo / Disco de diamante 3. Brida interior 4. Protector de disco para disco de corte abrasivo / disco de diamante

Para Estados Unidos y Canadá

Instalación y desinstalación del disco de corte abrasivo / disco de diamante (accesorio opcional)



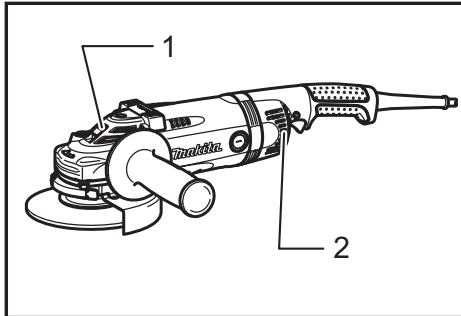
► 1. Contratuerca 2. Brida exterior 78 3. Disco de corte abrasivo / Disco de diamante 4. Brida interior 78 5. Protector de disco para discos de corte abrasivo / disco de diamante

MANTENIMIENTO

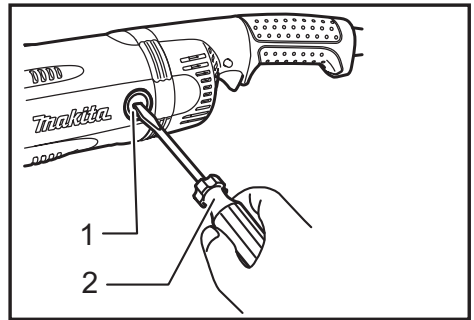
⚠ PRECAUCIÓN:

- Asegúrese siempre que la herramienta esté apagada y desconectada antes de intentar realizar una inspección o mantenimiento.
- Nunca use gasolina, bencina, diluyente (tíner), alcohol o sustancias similares. Puede que esto ocasione grietas o descoloramiento.

La herramienta y sus aberturas de ventilación han de mantenerse limpias. Limpie las aberturas de ventilación regularmente o siempre que los orificios empiecen a estar obstruidos.



- 1. Abertura de ventilación de salida 2. Abertura de ventilación de entrada



- 1. Tapa del carbón 2. Destornillador

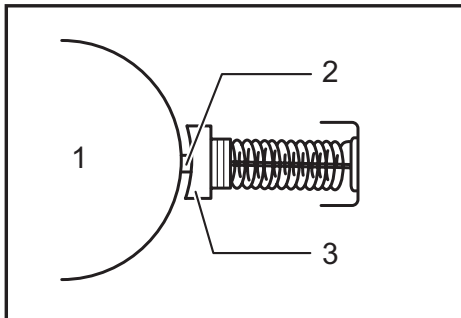
Para mantener la SEGURIDAD y FIABILIDAD del producto, las reparaciones, y cualquier otra tarea de mantenimiento o ajuste deberán ser realizadas en Centros de Servicio Autorizados por Makita, empleando siempre repuestos Makita.

ACCESORIOS OPCIONALES

⚠ PRECAUCIÓN:

- Estos accesorios o aditamentos (incluidos o no) están recomendados para utilizar con su herramienta Makita especificada en este manual. El empleo de cualesquiera otros accesorios o acoplamientos conllevará un riesgo de sufrir heridas personales. Utilice los accesorios o acoplamientos solamente para su fin establecido.
- Su herramienta incluye un protector para usarse con cualquier recomendación de disco esmerilador, multidisco, disco flexible y disco de cepillo de alambre. Si también se dispone de disco de diamante y/o disco cortador para usarse con la herramienta, éstos solamente deberán usarse con el protector correspondiente opcional para discos cortadores.
Si usted decide usar su esmeriladora Makita con accesorios aprobados que adquirió de su distribuidor Makita o centro de servicio del fabricante, asegúrese de obtener todos los fijadores y protectores necesarios que se recomiendan en este manual. No seguir esta indicación podría resultar en lesiones al usuario y a otras personas alrededor.

Reemplazamiento de las escobillas de carbón

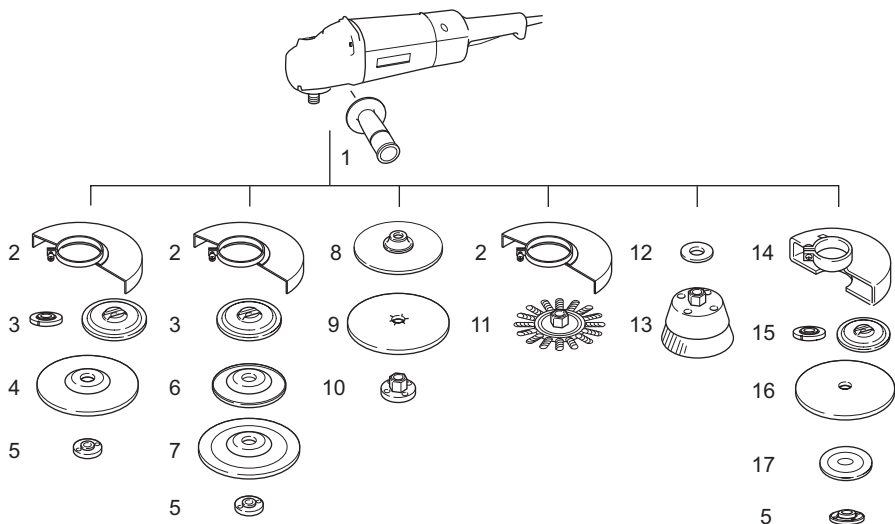


- 1. Conmutador 2. Punta de aislante 3. Escobilla de carbón

Cuando la punta de resina aislante del interior de la escobilla de carbón se gaste y haga contacto con el conmutador, detendrá automáticamente el motor. Cuando ocurra esto, ambas escobillas de carbón deberán ser sustituidas. Mantenga las escobillas de carbón limpias y de forma que entren libremente en los portaescobillas. Ambas escobillas de carbón deberán ser sustituidas al mismo tiempo. Utilice únicamente escobillas de carbón idénticas.

Utilice un destornillador para quitar Tapa del carbón. Extraiga las escobillas gastadas, inserte las nuevas y vuelva a colocar las tapas.

Si necesita cualquier ayuda para más detalles en relación con estos accesorios, pregunte a su centro de servicio Makita local.



1	Empuñadura lateral de mango
2	Protector (guarda) de disco
3	Brida interior 45 / Brida exterior 89 *1
4	Disco esmerilador de centro hundido / Multidisco
5	Contratuerca 5/8 - 45
6	Almohadilla de soporte
7	Disco flexible
8	Plato de goma 170
9	Disco de lija
10	Contratuerca de lijado 5/8 - 48
11	Carda o disco de cepillo de alambres
12	Arandela de uretano 14
13	Cepillo de copa
14	Protector de disco (para disco de corte abrasivo / disco de diamante)
15	Brida interior 45 / Brida exterior 78 (solo para Estados Unidos y Canadá)*2
16	Disco de corte abrasivo / Disco de diamante
17	Brida exterior 78 (solo para Estados Unidos y Canadá)*2
—	Llave de tuerca de bloqueo 28

*1 En países que no sean Estados Unidos y Canadá, se podrá usar una brida interior 45 también.

*2 Use brida interior 78 y brida exterior 78 (solo para Estados Unidos y Canadá).

NOTA:

- Algunos de los artículos en la lista puede que vengan junto con el paquete de la herramienta como accesorios incluidos. Puede que estos accesorios varíen de país a país.

GARANTÍA LIMITADA DE MAKITA

Ésta Garantía no aplica para México

Consulte la hoja de la garantía anexa para ver los términos más vigentes de la garantía aplicable a este producto. En caso de no disponer de esta hoja de garantía anexa, consulte los detalles sobre la garantía descritos en el sitio web de su país respectivo indicado a continuación.

Estados Unidos de América: www.makitatools.com

Canadá: www.makita.ca

Otros países: www.makita.com

< USA only >

WARNING

Some dust created by power sanding, sawing, grinding, drilling, and other construction activities contains chemicals known to the State of California to cause cancer, birth defects or other reproductive harm. Some examples of these chemicals are:

- lead from lead-based paints,
- crystalline silica from bricks and cement and other masonry products, and
- arsenic and chromium from chemically-treated lumber.

Your risk from these exposures varies, depending on how often you do this type of work. To reduce your exposure to these chemicals: work in a well ventilated area, and work with approved safety equipment, such as those dust masks that are specially designed to filter out microscopic particles.

< Sólo en los Estados Unidos >

ADVERTENCIA

Algunos polvos creados por el lijado, aserrado, esmerilado, taladrado y otras actividades de la construcción contienen sustancias químicas reconocidas por el Estado de California como causantes de cáncer, defectos de nacimiento y otros peligros de reproducción. Algunos ejemplos de estos productos químicos son:

- plomo de pinturas a base de plomo,
- sílice cristalino de ladrillos y cemento y otros productos de albañilería, y
- arsénico y cromo de maderas tratadas químicamente.

El riesgo al que se expone varía, dependiendo de la frecuencia con la que realice este tipo de trabajo. Para reducir la exposición a estos productos químicos: trabaje en un área bien ventilada y póngase el equipo de seguridad indicado, tal como las máscaras contra polvo que están especialmente diseñadas para filtrar partículas microscópicas.

Makita Corporation

3-11-8, Sumiyoshi-cho,
Anjo, Aichi 446-8502 Japan

www.makita.com

884921F949
GA7031-2
EN, FRCA, ESMX
20190523